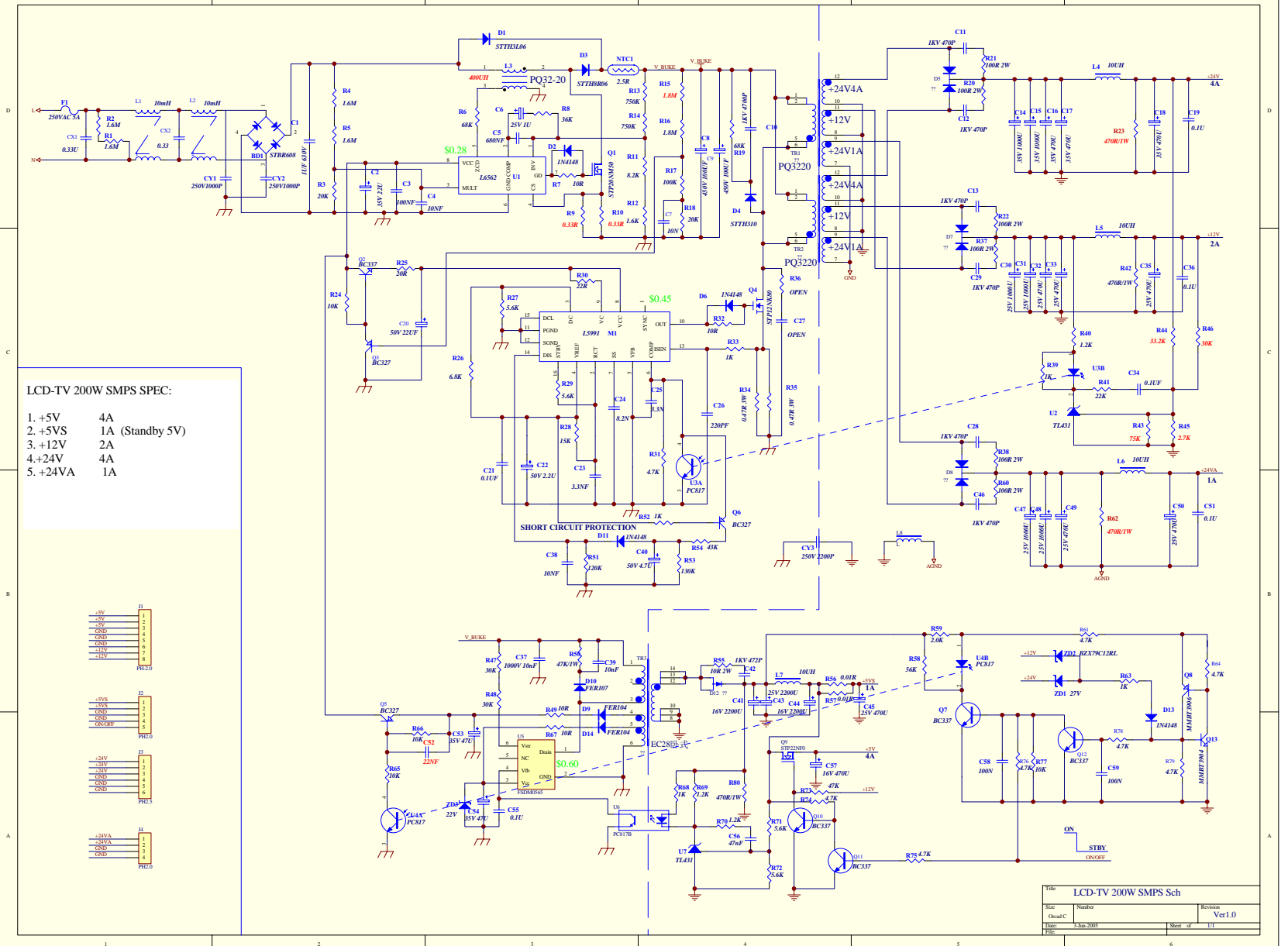
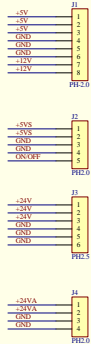


LCD-TV 200W SMPS SPEC:

- 1. +5V 4A
- 2. +5V 1A (Standby 1V)
- 3. +12V 2A
- 4. +24V 4A
- 5. +24VA 1A



Title	LCD-TV 200W SMPS Sch		
Sheet Number	1	Revision	Ver1.0
Date	3-Jan-2005	Sheet of	1/1
File			