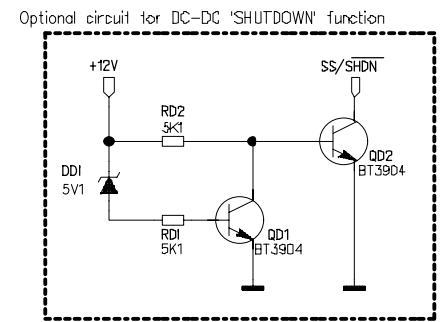
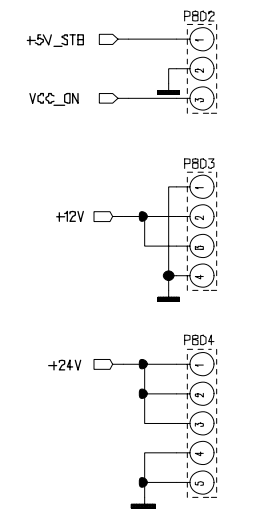
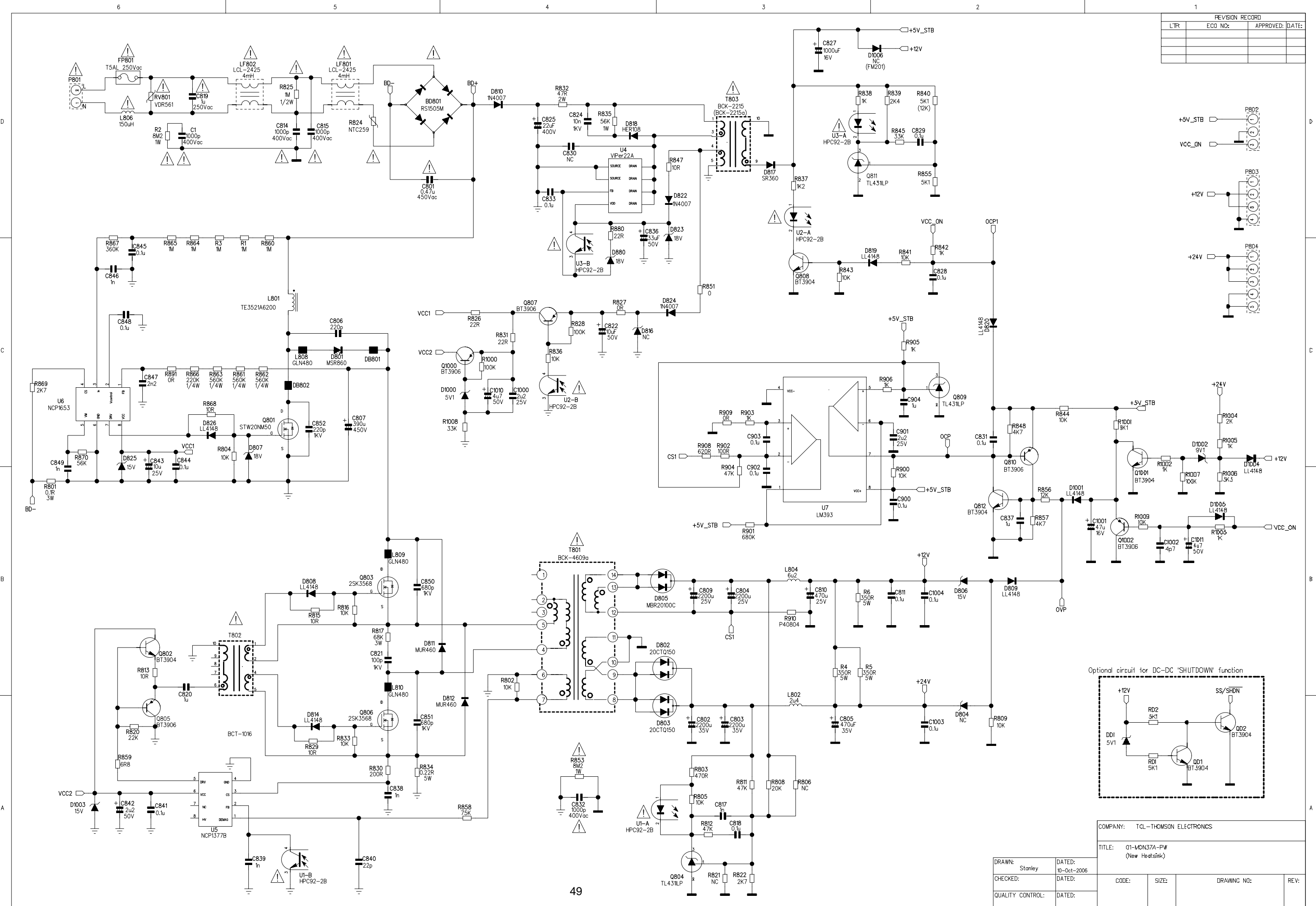


| REVISION RECORD | | |
|-----------------|---------|----------------|
| LTR | ECO NO: | APPROVED DATE: |
| | | |
| | | |
| | | |



| | | | | |
|---------------------------------------|--------------------|-----------|--------|-------------|
| COMPANY: TCL-THOMSON ELECTRONICS | | | | |
| TITLE: 01-MON37A-PW (New Heatsink) | | | | |
| DRAWN: Stanley | DATED: 10-Oct-2006 | CODE: | SIZE: | DRAWING NO: |
| CHECKED: | DATED: | RELEASED: | DATED: | REV: |
| SCALE: | | SHEET: DF | | |