

**CAUTION !**

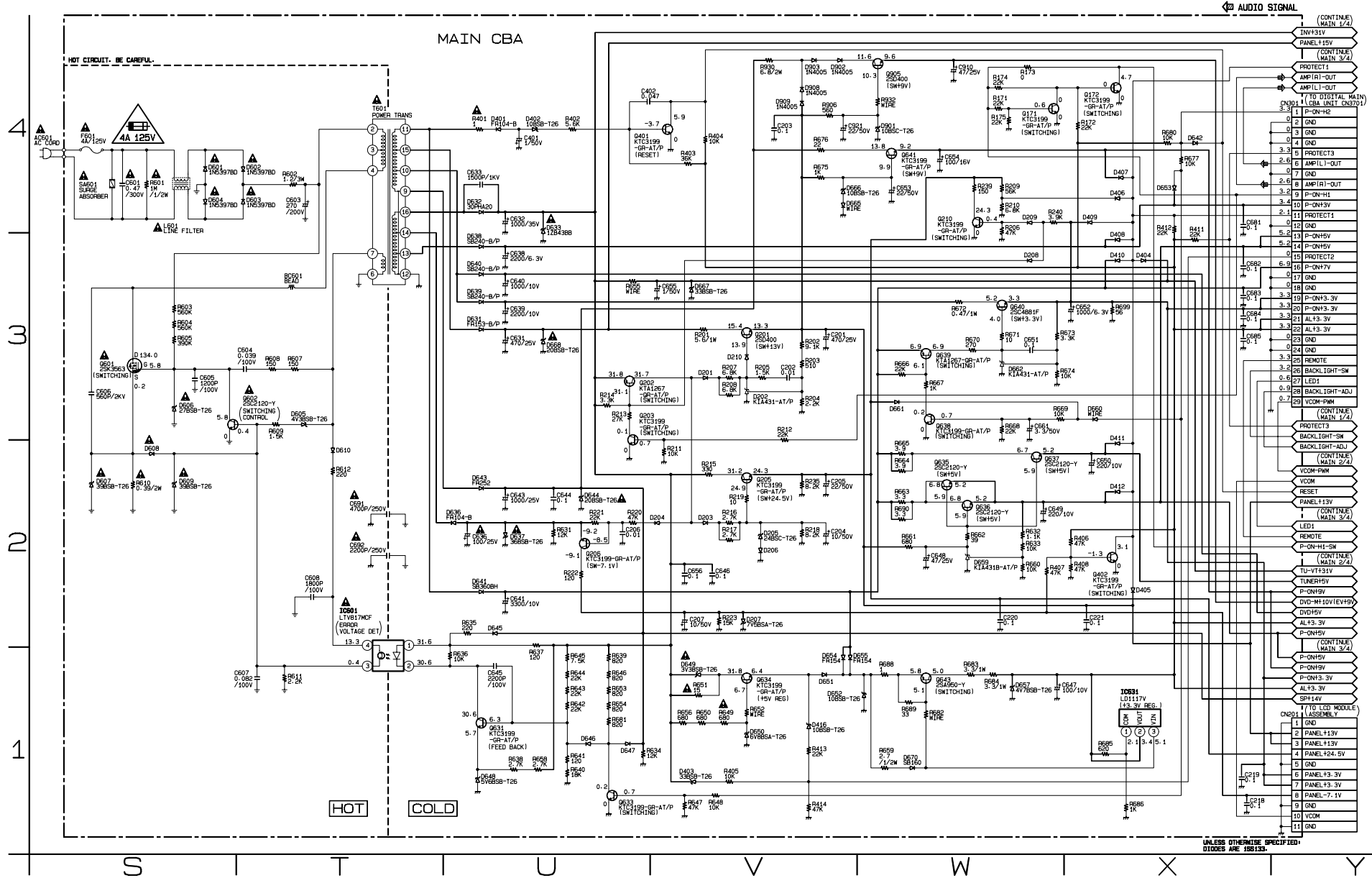
Fixed voltage (or Auto voltage selectable) power supply circuit is used in this unit.  
If Main Fuse (F601) is blown, check to see that all components in the power supply circuit are not defective before you connect the AC plug to the AC power supply.  
Otherwise it may cause some components in the power supply circuit to fail.



**CAUTION ! :** For continued protection against risk of fire, replace only with same type 4 A, 125V fuse.  
**ATTENTION :** Utiliser un fusible de rechange de même type de 4A, 125V.

**NOTE:**

The voltage for parts in hot circuit is measured using hot GND as a common terminal.



UNLESS OTHERWISE SPECIFIED  
DIMENSIONS ARE IN MILLIMETERS