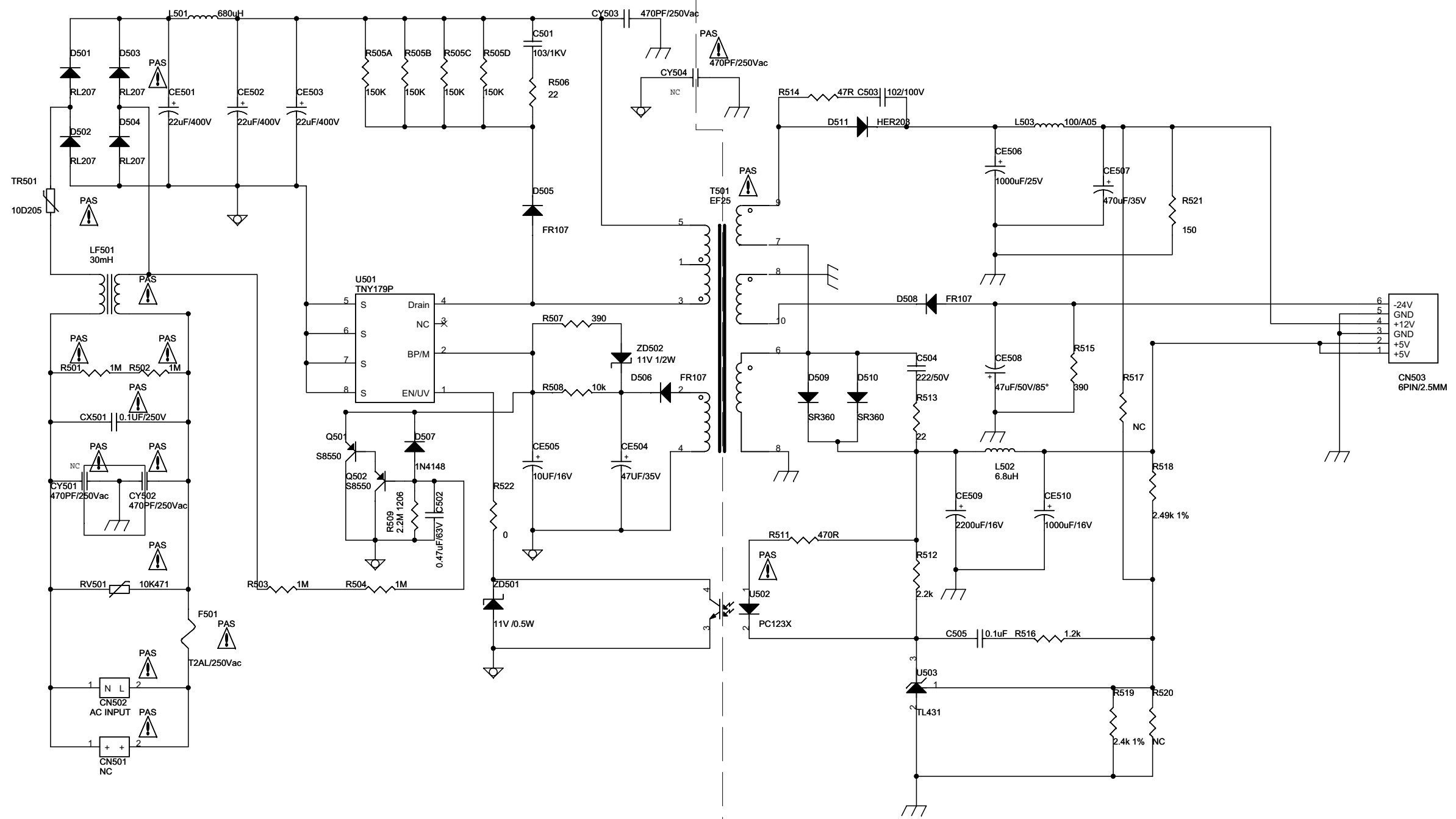



# Power Board circuit diagram:



NU:NO USE THE PLACE

**\* CAUTION :**  
 THE PARTS MARKED WITH  ARE IMPORTANT PARTS ON THE SAFETY.  
 PLEASE USE THE PARTS HAVING THE DESIGNATED PARTS NUMBER WITHOUT FAIL.