

# STK403-240A STK403-250A



## Triple power audio amplifier with stand-by

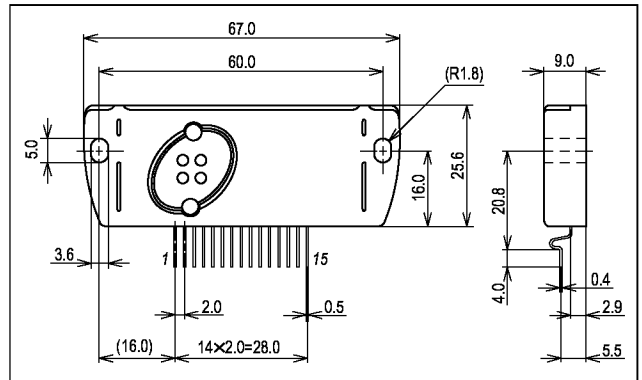
- AF output power STK403-240A: 3x40W  
STK403-250A: 3x50W

### MAXIMUM RATINGS / Ta=25°C

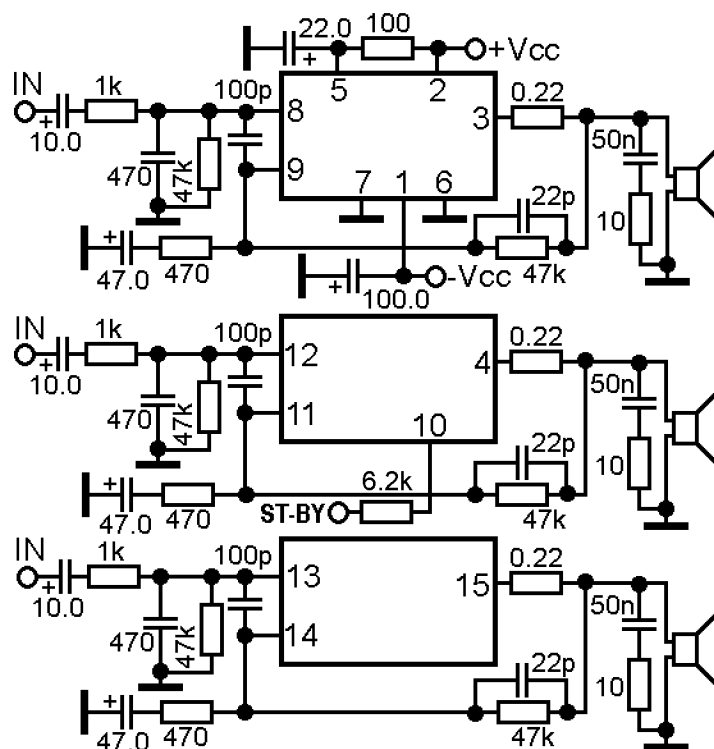
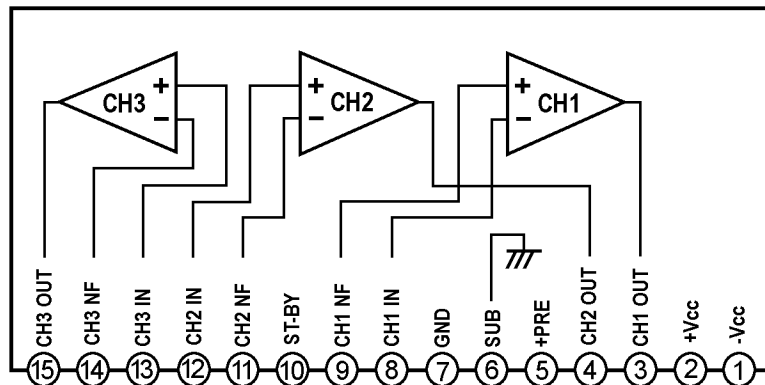
	STK403-240A	STK403-250A
Maximum Supply Voltage $V_{CCmax}$	$\pm 38V$	$\pm 46V$
Minimum Supply Voltage $V_{CCmin}$	$\pm 18V$	$\pm 20V$
Quiescent Current $I_{CC0}$ (typ)	45mA	45mA
Voltage gain VG ( $P_o=0.1W$ )	30dB	30dB
Distortion THD ( $P_o=5.0W$ )	0.02%	0.02%
Input Resistance $R_{in}$ ( $P_o=1.0W$ )	55kOhm	55kOhm
Power Bandwidth Bw ( $P_o=1W, +0...-3dB$ )	20Hz...50kHz	
Load Resistance $R_L$	4...6 Ohm	
Built-in stand-by function ( $I_{st}=1.2mA$ )		
Stand-by condition: ST-BY= GND- operate		
ST-BY= +PreVcc- stand-by		

### Package Dimension

unit:mm (typ)



### Internal Block Diagram



Application Circuit Example