



DESCRIPTION

PT2315A is a two-channel digital audio processor utilizing CMOS Technology. Volume, Bass, Treble and Balance Controls are incorporated into a single chip. Loudness Function is also provided to build a highly effective electronic audio processor having the highest performance and reliability with the least external components. All functions are programmable using the I²C Bus. The pin assignments and application circuit are optimized for easy PCB layout and cost saving advantage for audio application. Housed in a 20-pin DIP and SOP, PT2315A is pin-to-pin compatible with TDA7315 and is very similar in performance with the later.

FEATURES

- CMOS Technology
- Least External Components
- Treble and Bass Control
- Loudness Function
- Input/Output for External Noise Reduction System/Equalizer
- 2 Independent Speaker Controls for Balance Function
- Independent Mute Function
- Volume Control in 1.25dB/step
- Low Distortion
- Low Noise and DC Stepping
- Controlled by I²C Bus Micro-Processor Interface
- Pin-to-pin Compatible with TDA7315

APPLICATIONS

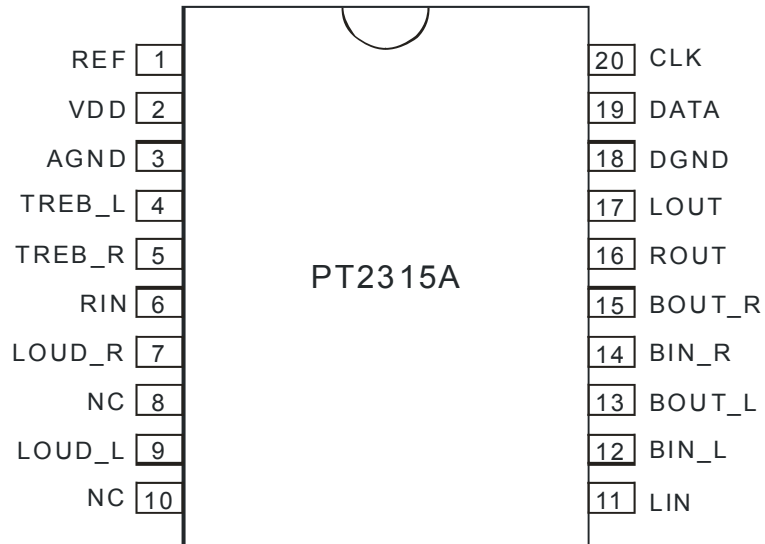
- Car Stereo (Audio)
- Hi-Fi Audio System
- Can be used in all I²C System Applications

Note:

Purchase of I²C Component of Princeton Technology Corporation (PTC) conveys a license under Philips I²C Patent Right to use these components in any I²C System, provided that the system conforms to the I²C Standard Specification defined by Philips

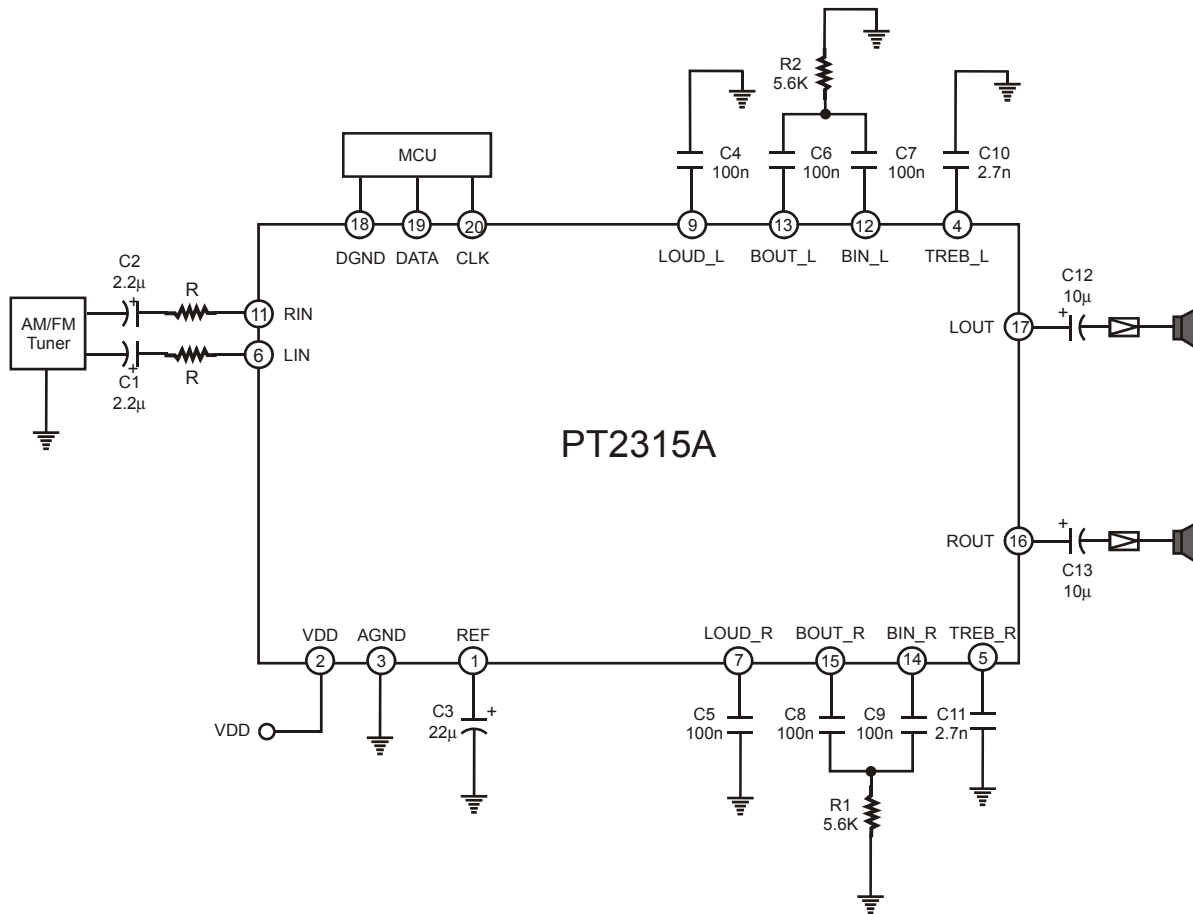


PIN CONFIGURATION





APPLICATION CIRCUIT



Notes:

1. It is suggested that you use Mylar Capacitor for capacitors, C4 ~ C11.
2. Recommended Value of Resistor (R)=1K.



ORDER INFORMATION

Valid Part Number	Package Information	Top Code
PT2315A-D	20 Pins, DIP, 300mil	PT2315A-D
PT2315A	20 Pins, SOP, 300mil	PT2315A
PT2315A-D (L)	20 Pins, DIP, 300mil	PT2315A-D
PT2315A (L)	20 Pins, SOP, 300mil	PT2315A

Notes:

1. (L), (C) or (S) = Lead Free.
2. The Lead Free mark is put in front of the date code.