



SANYO Semiconductors

DATA SHEET

LA42201

Monolithic Linear IC
 Audio Output for TV application
 BTL 20W Monaural Power Amplifier

Overview

The LA42201 is a 20W monaural power amplifier IC and optimal for use as the audio output power amplifier in TV application.

Functions

- 20W Monaural ($V_{CC} = 13V$, $R_L = 4\Omega$, THD = 10%)
- Built-in mute function.
- Built-in various protection circuit (short to power/short to ground/load shorting/thermal/overvoltage protection).

Specifications

Maximum Ratings at $T_a = 25^\circ C$

Parameter	Symbol	Conditions	Ratings	Unit
Maximum supply voltage	V_{CC} max	No signal	21	V
Allowable power dissipation	P_d max	Infinitely large heat sink	25	W
Maximum junction temperature	T_j max		150	$^\circ C$
Thermal resistance	θ_{jc}		3	$^\circ C/W$
Operating temperature	T_{opr}		-25 to +75	$^\circ C$
Storage temperature	T_{stg}		-40 to +150	$^\circ C$

Operating Conditions at $T_a = 25^\circ C$

Parameter	Symbol	Conditions	Ratings	Unit
Recommended supply voltage	V_{CC}		13	V
Recommended load resistance	R_L		4	Ω
Allowable operating supply voltage range	V_{CC} op		8 to 16	V

■ Any and all SANYO Semiconductor Co.,Ltd. products described or contained herein are, with regard to "standard application", intended for the use as general electronics equipment (home appliances, AV equipment, communication device, office equipment, industrial equipment etc.). The products mentioned herein shall not be intended for use for any "special application" (medical equipment whose purpose is to sustain life, aerospace instrument, nuclear control device, burning appliances, transportation machine, traffic signal system, safety equipment etc.) that shall require extremely high level of reliability and can directly threaten human lives in case of failure or malfunction of the product or may cause harm to human bodies, nor shall they grant any guarantee thereof. If you should intend to use our products for applications outside the standard applications of our customer who is considering such use and/or outside the scope of our intended standard applications, please consult with us prior to the intended use. If there is no consultation or inquiry before the intended use, our customer shall be solely responsible for the use.

■ Specifications of any and all SANYO Semiconductor Co.,Ltd. products described or contained herein stipulate the performance, characteristics, and functions of the described products in the independent state, and are not guarantees of the performance, characteristics, and functions of the described products as mounted in the customer's products or equipment. To verify symptoms and states that cannot be evaluated in an independent device, the customer should always evaluate and test devices mounted in the customer's products or equipment.

SANYO Semiconductor Co., Ltd.

TOKYO OFFICE Tokyo Bldg., 1-10, 1 Chome, Ueno, Taito-ku, TOKYO, 110-8534 JAPAN

LA42201

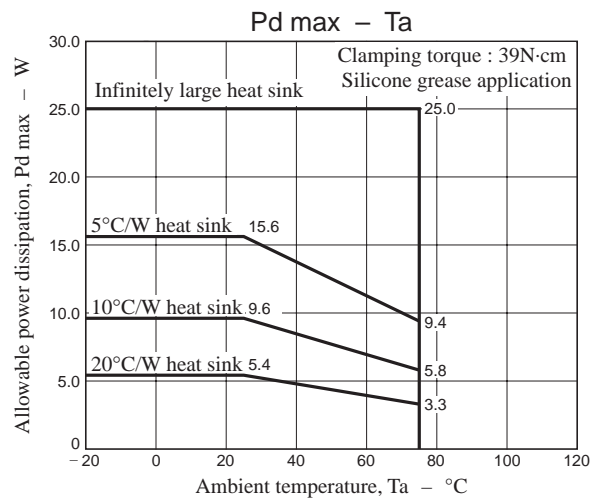
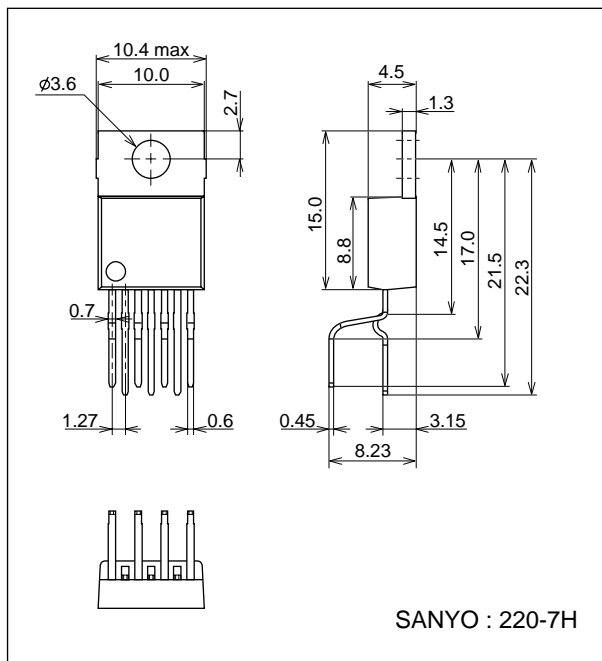
Electrical Characteristics at $T_a = 25^\circ\text{C}$, $V_{CC} = 13\text{V}$, $R_L = 4\Omega$, $f = 1\text{kHz}$, $R_g = 600\Omega$

Parameter	Symbol	Conditions	Ratings			Unit
			min	typ	max	
Quiescent current	I_{CCO}	$R_g = 0$	30	50	100	mA
Output power	P_O	THD = 10%	17	20		W
Total harmonic distortion	THD	$P_O = 1\text{W}$		0.06	0.3	%
Voltage gain	VG	$V_O = 0\text{dBm}$	28	30	32	dB
Output noise voltage	V_{NO}	$R_g = 0$, BPF = 20Hz to 20kHz		0.2	0.4	mVrms
Ripple rejection ratio	SVRR	$R_g = 0$, $f_R = 100\text{Hz}$, $V_{CCR} = 0\text{dBm}$	30	40		dB
Mute attenuation value	ATT	$V_O = 1\text{Vrms}$, BPF = 20Hz to 20kHz	70	80		dB
Mute control voltage (pin 6)	V_{MUTE-H}	Mute OFF	2.5		5.0	V
	V_{MUTE-L}	Mute ON	0		1.0	V
Input resistance	R_i		35	50	65	$k\Omega$

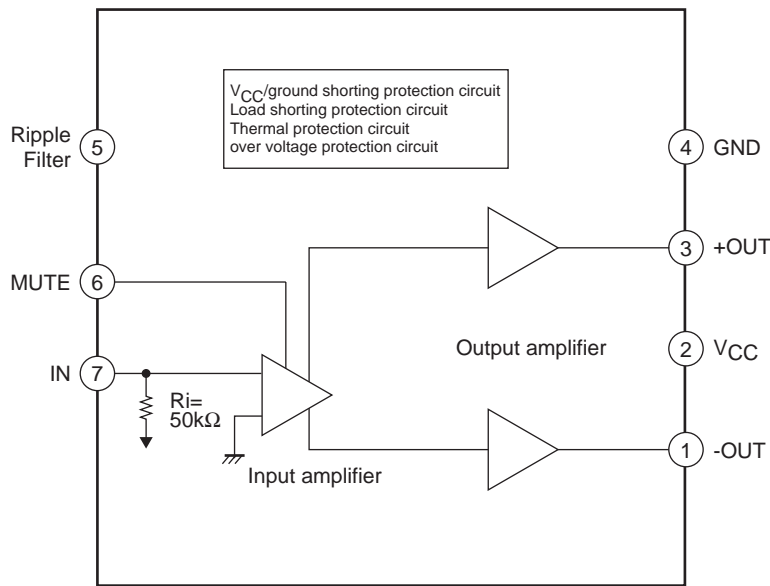
Package Dimensions

unit : mm (typ)

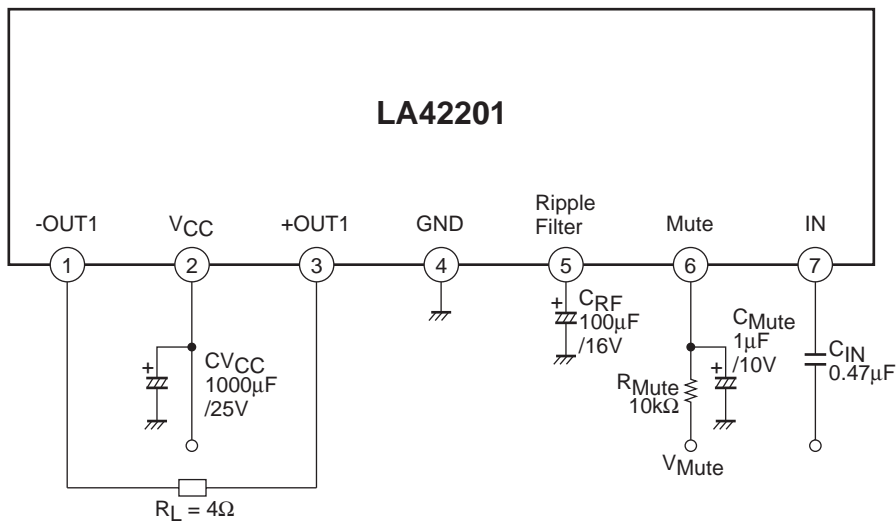
3286



Block Diagram



Test Circuit



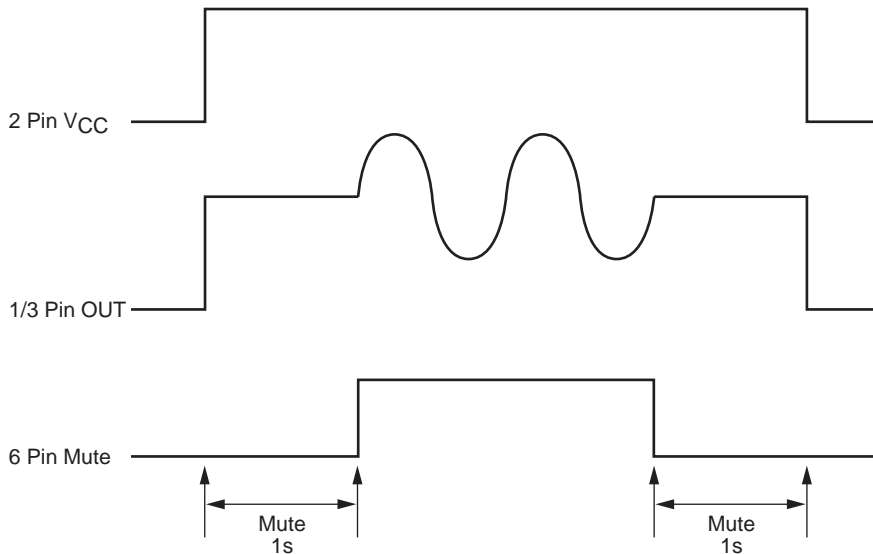
Description of external parts

- C_{IN} : Input coupling capacitor, for which $0.47\mu F$ is recommended. Since the input pin potential is about $1/2 V_{CC}$, the ceramic capacitor with small leak current is recommended.
- C_{RF} : Ripple filter capacitor, for which $100\mu F$ is recommended. Note that the capacitance below $100\mu F$ will cause decrease in the ripple removal ratio.
- C_{Mute} : Capacitor for mute.
- C_{VCC} : Power capacitor.

Cautions

Oscillation of the capacitor between the output pin and GND may cause oscillation. In such an event, insert $0.1\mu\text{F} + 2.2\Omega$ between pins 1 and 3.

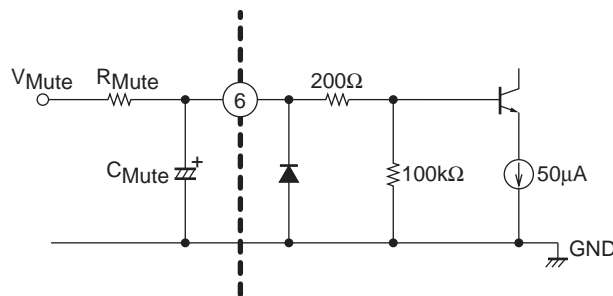
1. Rise and fall of AMP V_{CC} (2Pin), Mute (6Pin)



- When raising AMP, always raise the Mute pin 6 in 1sec after the V_{CC} pin 2.
 - When falling AMP, always fall the V_{CC} pin 2 in 1sec after the Mute pin 6.
- Above procedure will alleviate the shock sound at rise and fall.

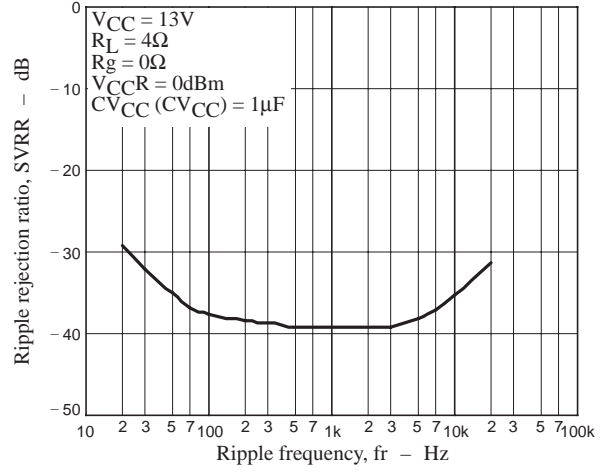
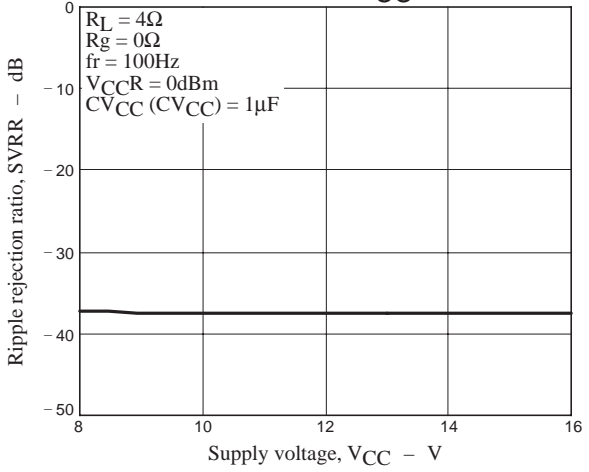
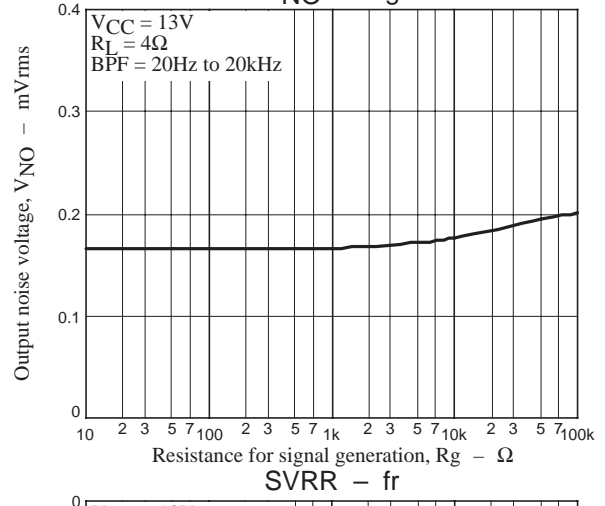
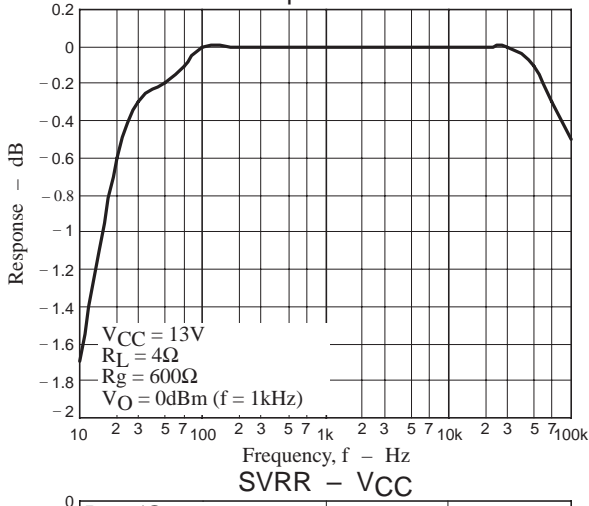
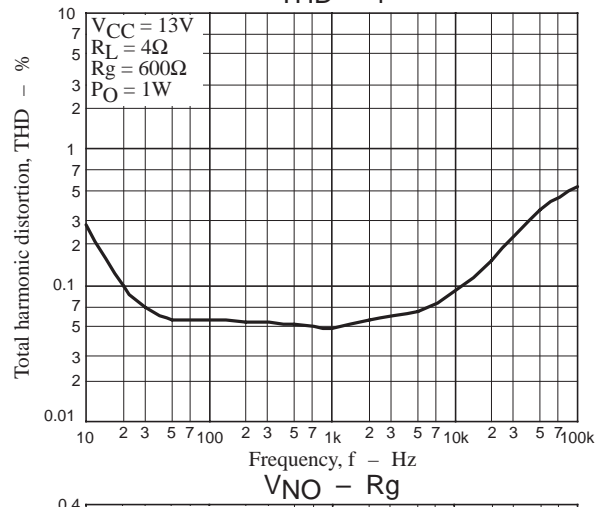
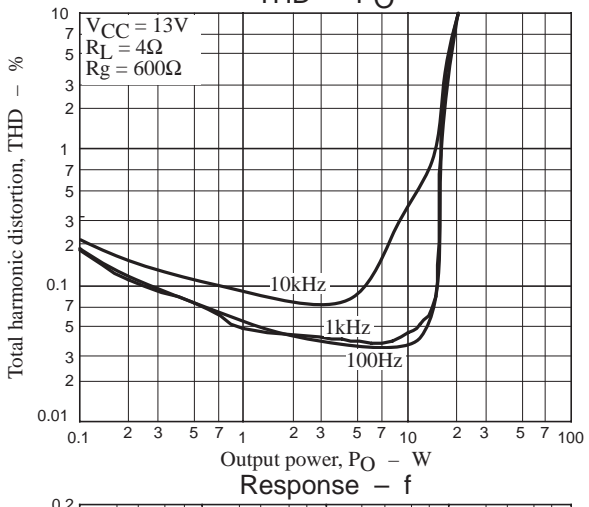
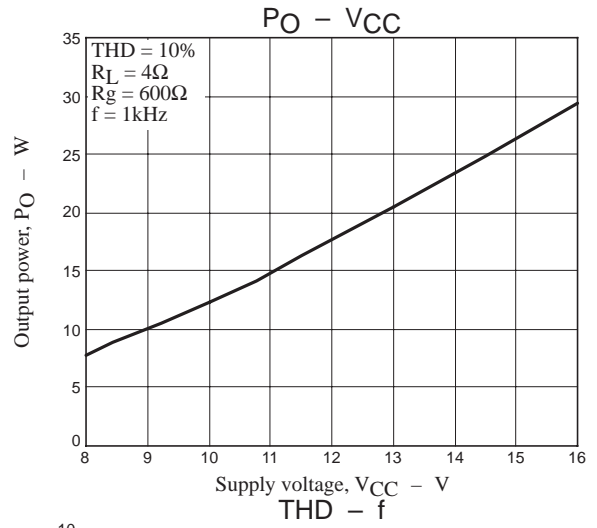
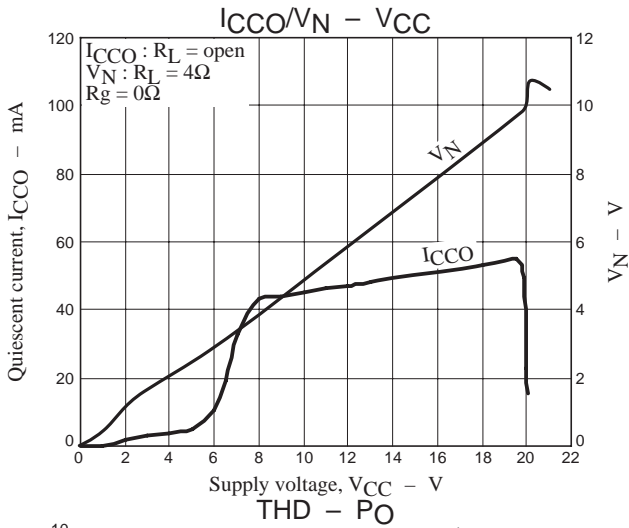
2. Mute function (pin 6)

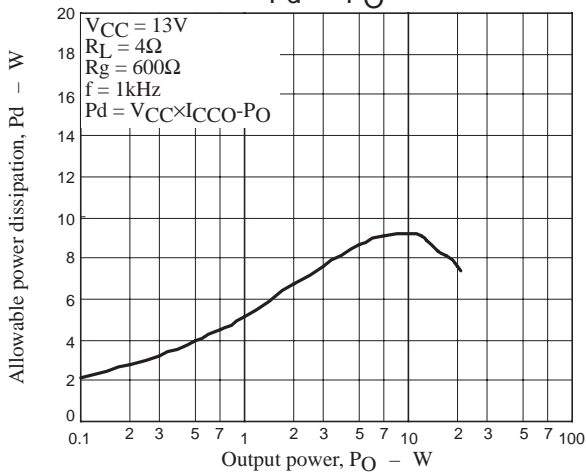
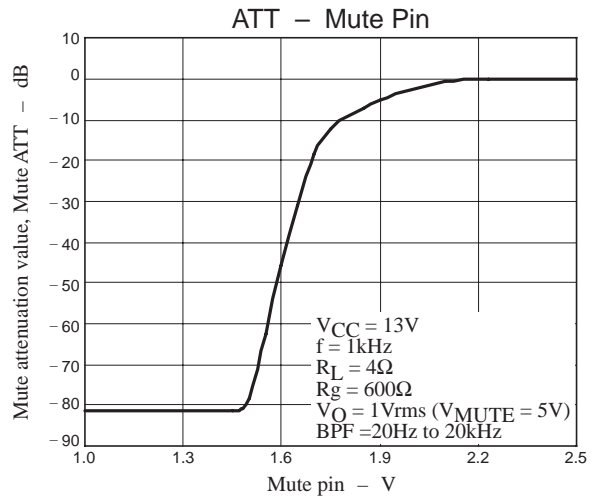
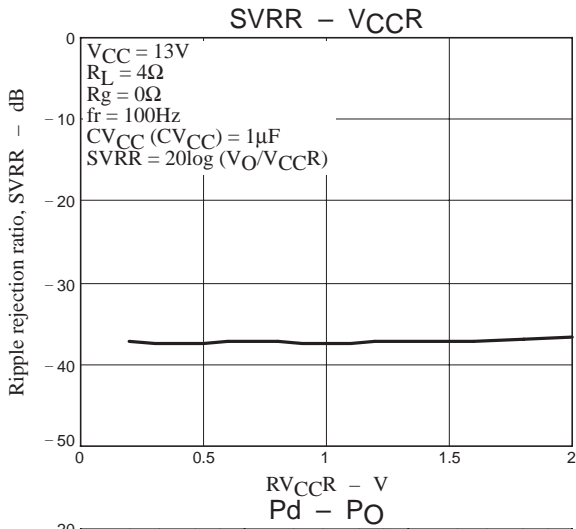
The mute function is turned ON with the pin 6 voltage of 1.0V or less and OFF with the voltage of 2.5V or more. The inrush current to pin 6 is about $50\mu\text{A}$ when V_{Mute} is 5V and R_{Mute} is $10\text{k}\Omega$.



Cautions for use

1. Short-circuit (power – output short-circuit), ground fault (GND – output short-circuit), and load short-circuit protective circuits are incorporated. They are activated in case of abnormal connection. These circuits remain active while such abnormal connection continues and is reset automatically when the abnormality is removed.
2. The thermal protection circuit is incorporated and is activated when the junction temperature (T_j) rises to about 170°C or more. The output is controlled to return gradually to the attenuated state.
3. When the product is used near the maximum rating, even the slightest change in the condition may cause exceeding of the maximum rating, resulting possibly in breakdown. Take the sufficient margin for the supply voltage, etc. and always use the product within a range never exceeding the maximum rating.





- SANYO Semiconductor Co.,Ltd. assumes no responsibility for equipment failures that result from using products at values that exceed, even momentarily, rated values (such as maximum ratings, operating condition ranges, or other parameters) listed in products specifications of any and all SANYO Semiconductor Co.,Ltd. products described or contained herein.
- SANYO Semiconductor Co.,Ltd. strives to supply high-quality high-reliability products, however, any and all semiconductor products fail or malfunction with some probability. It is possible that these probabilistic failures or malfunction could give rise to accidents or events that could endanger human lives, trouble that could give rise to smoke or fire, or accidents that could cause damage to other property. When designing equipment, adopt safety measures so that these kinds of accidents or events cannot occur. Such measures include but are not limited to protective circuits and error prevention circuits for safe design, redundant design, and structural design.
- In the event that any or all SANYO Semiconductor Co.,Ltd. products described or contained herein are controlled under any of applicable local export control laws and regulations, such products may require the export license from the authorities concerned in accordance with the above law.
- No part of this publication may be reproduced or transmitted in any form or by any means, electronic or mechanical, including photocopying and recording, or any information storage or retrieval system, or otherwise, without the prior written consent of SANYO Semiconductor Co.,Ltd.
- Any and all information described or contained herein are subject to change without notice due to product/technology improvement, etc. When designing equipment, refer to the "Delivery Specification" for the SANYO Semiconductor Co.,Ltd. product that you intend to use.
- Information (including circuit diagrams and circuit parameters) herein is for example only; it is not guaranteed for volume production.
- Upon using the technical information or products described herein, neither warranty nor license shall be granted with regard to intellectual property rights or any other rights of SANYO Semiconductor Co.,Ltd. or any third party. SANYO Semiconductor Co.,Ltd. shall not be liable for any claim or suits with regard to a third party's intellectual property rights which has resulted from the use of the technical information and products mentioned above.

This catalog provides information as of August, 2007. Specifications and information herein are subject to change without notice.