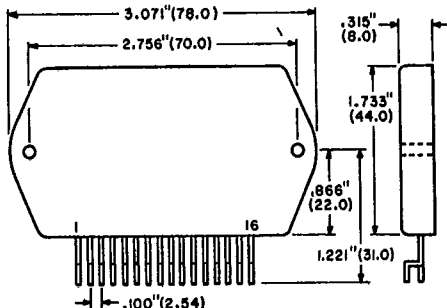


Features

- Dual channel
- Thick film hybrid
- Minimum output power - 20 W



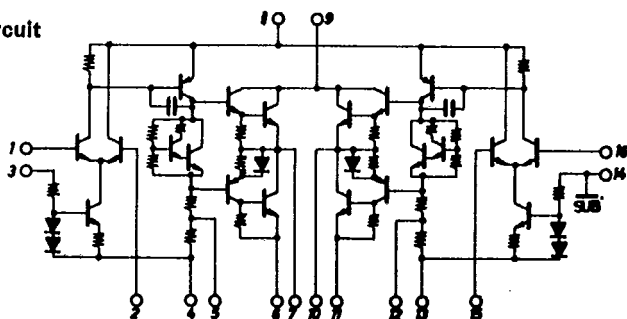
Absolute Maximum Ratings

Characteristic	Symbol	Rating	Unit
Supply Voltage	V_{CC}	± 32.5	V
Operating Case Temperature	T_C	90	$^{\circ}C$
Storage Temperature	T_{stg}	-30 to +100	$^{\circ}C$
Allowable Load Shorting Time	t_s $V_{CC} = 26$ V $f = 50$ Hz $V_O = 12$ V $R_L = \text{Open}$	2	sec

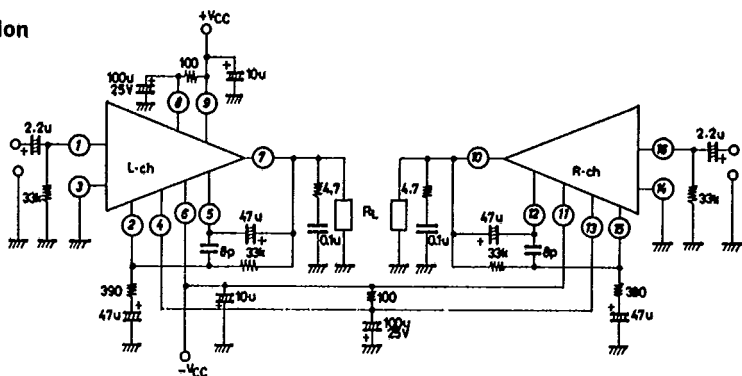
Operational Characteristics ($T_A = 25^{\circ}C$, $V_{CC} = \pm 22$ V, $R_L = 8 \Omega$, $R_g = 600 \Omega$, $V_G = 38.5$ dB)

Characteristic	Symbol	Test Condition	Min	Typ	Max	Unit
Quiescent Current	I_{CCO}	$V_{CC} = \pm 26$ V		60	120	mA
Output Power	$P_O(1)$	THD = 0.5%, $f = 1$ kHz	20			W
	$P_O(2)$	THD = 0.5%, $f = 20$ to 20 kHz	18			
Distortion	THD	$P_O = 1.0$ W, $f = 1$ kHz			0.2	%
Frequency Response	f	$P_O = 0.1$ W, -3 dB	20 to 50 K			Hz
Input Resistance	r_i	$P_O = 0.1$ W,		32 K		Ω
Noise Output Voltage	V_{NO}	$V_{CC} = \pm 26$ V, $R_g = 10$ k Ω			1.3	mVrms
Noise Voltage	V_N	$V_{CC} = \pm 26$ V	-70		+70	mV

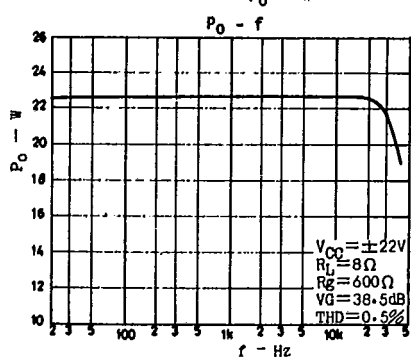
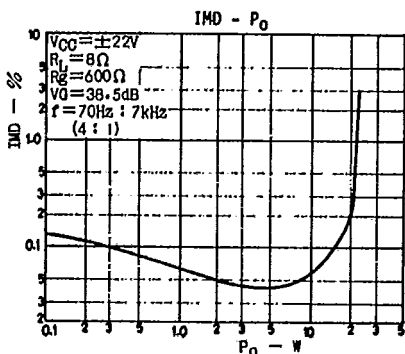
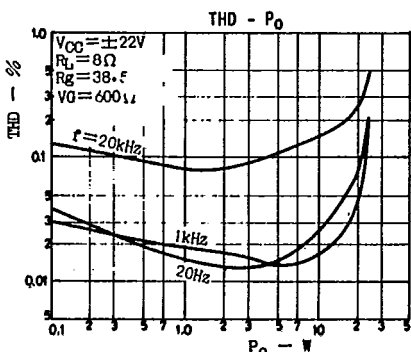
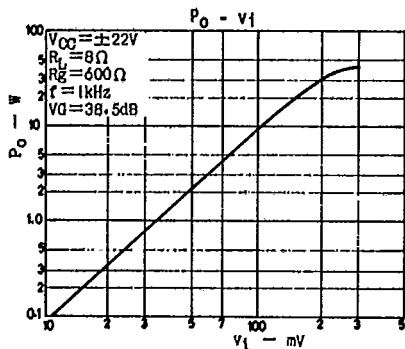
Equivalent Circuit



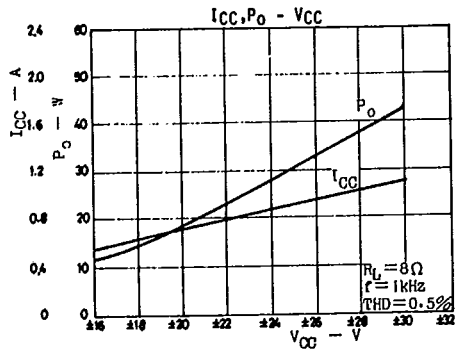
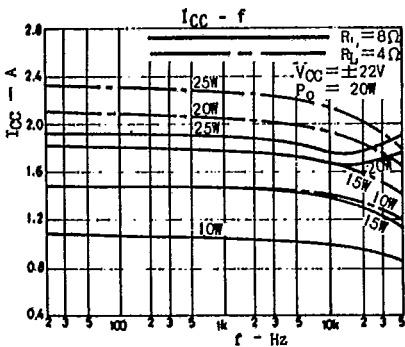
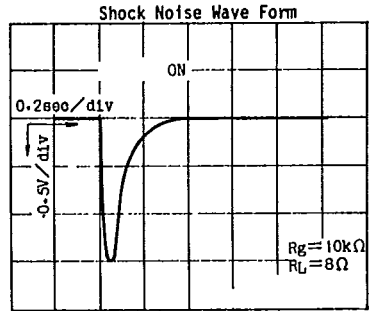
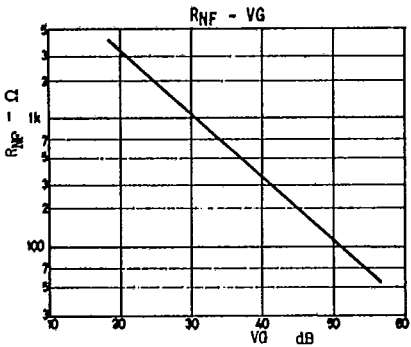
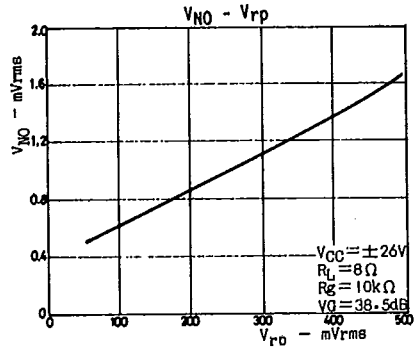
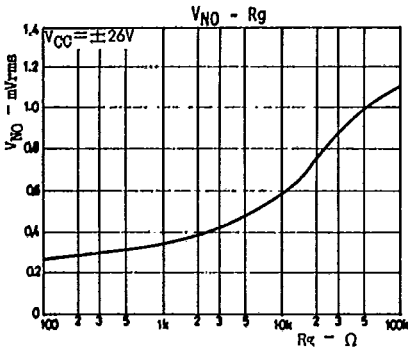
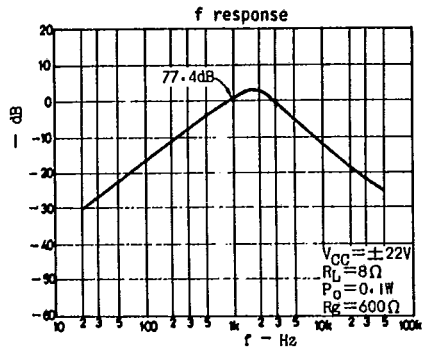
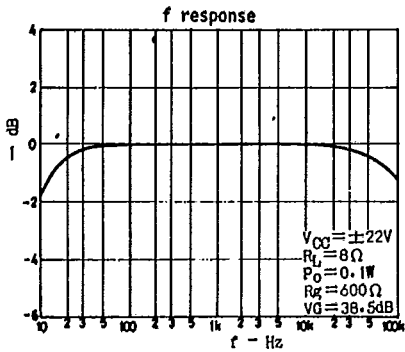
Application



Typical Characteristics



Typical Characteristics (Cont.)



Typical Characteristics (Cont.)

