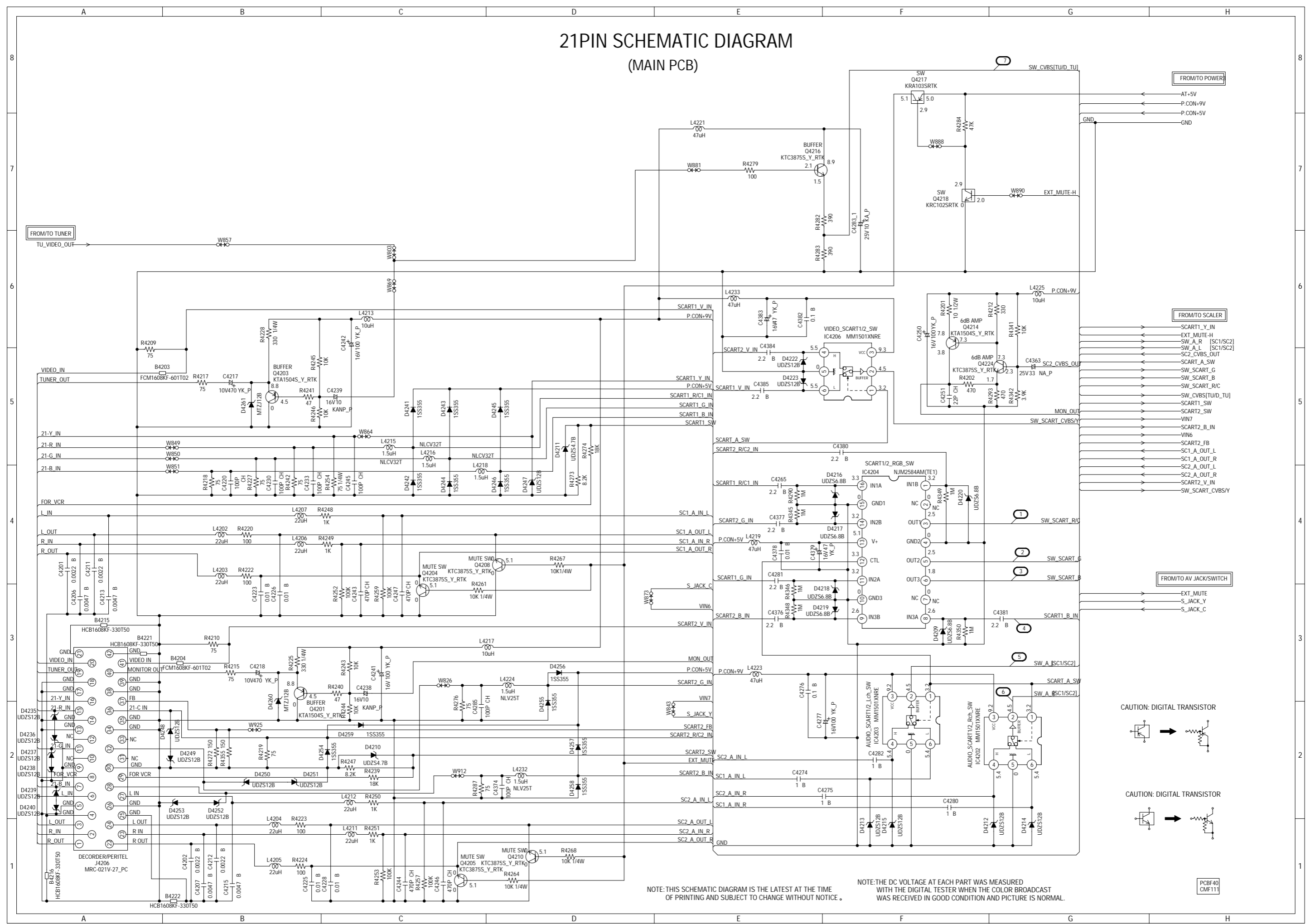


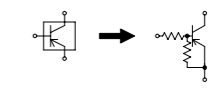
21PIN SCHEMATIC DIAGRAM (MAIN PCB)



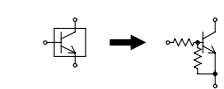
NOTE: THIS SCHEMATIC DIAGRAM IS THE LATEST AT THE TIME OF PRINTING AND SUBJECT TO CHANGE WITHOUT NOTICE.

NOTE: THE DC VOLTAGE AT EACH PART WAS MEASURED WITH THE DIGITAL TESTER WHEN THE COLOR BROADCAST WAS RECEIVED IN GOOD CONDITION AND PICTURE IS NORMAL.

CAUTION: DIGITAL TRANSISTOR

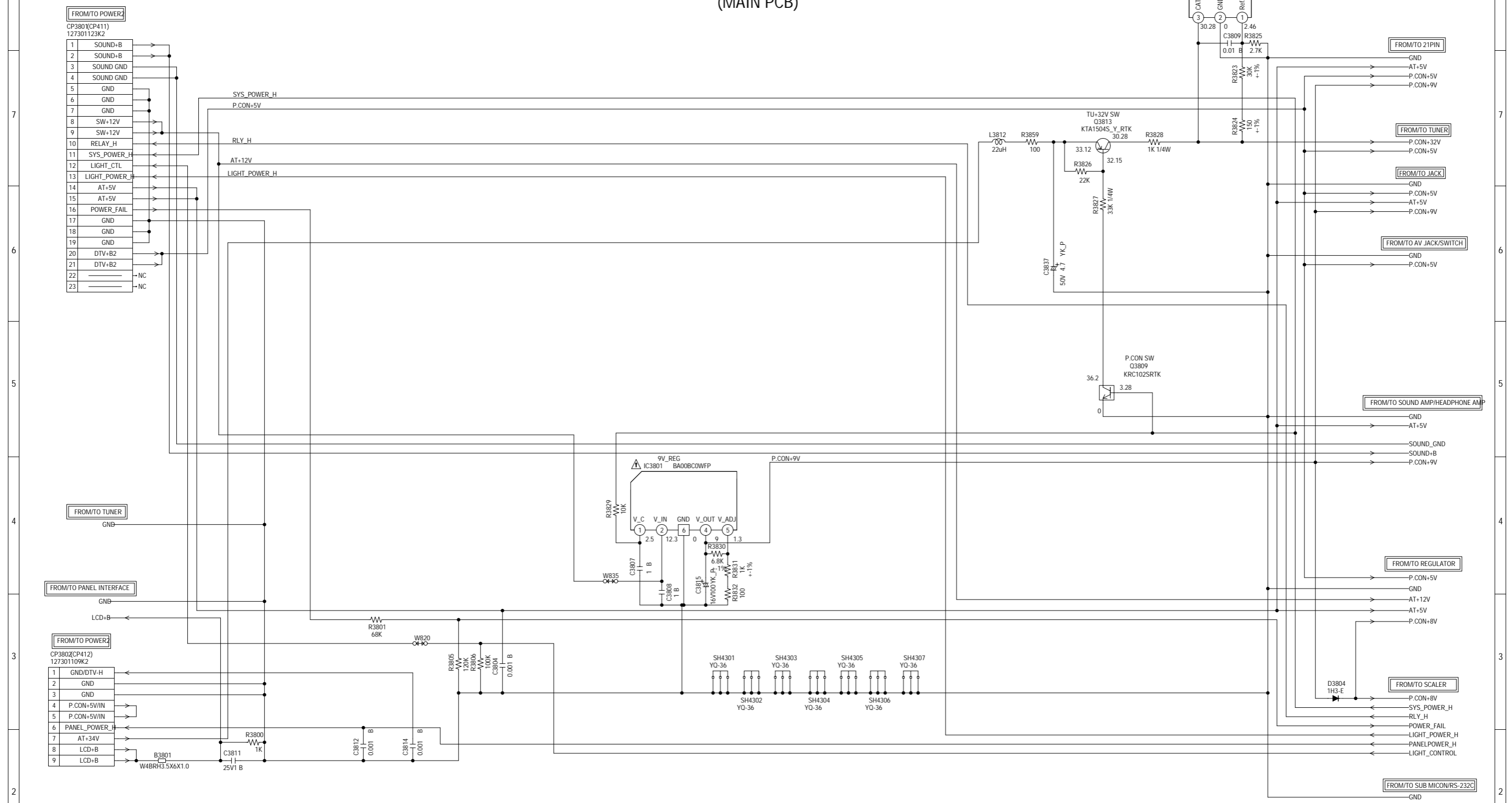


CAUTION: DIGITAL TRANSISTOR



PCBF40
CMF111

POWER3 SCHEMATIC DIAGRAM (MAIN PCB)



FROM/TO POWER2
CP3801(CP411)
127301123K2

1	SOUND+B
2	SOUND+B
3	SOUND GND
4	SOUND GND
5	GND
6	GND
7	GND
8	SW+12V
9	SW+12V
10	RELAY_H
11	SYS_POWER_H
12	LIGHT_CTL
13	LIGHT_POWER_H
14	AT+5V
15	AT+5V
16	POWER_FAIL
17	GND
18	GND
19	GND
20	DTV+B2
21	DTV+B2
22	-NC
23	-NC

FROM/TO TUNER

GND

FROM/TO PANEL INTERFACE

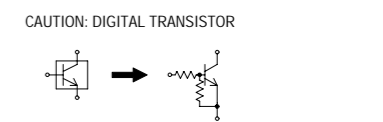
GND
LCD+B

FROM/TO POWER2
CP3802(CP412)
127301109K2

1	GND/DTV-H
2	GND
3	GND
4	P.CON+5V/IN
5	P.CON+5V/IN
6	PANEL_POWER_H
7	AT+34V
8	LCD+B
9	LCD+B

FROM/TO SUB MICON/RS-232C

GND
P.CON+8V
SYS_POWER_H
RLY_H
POWER_FAIL
LIGHT_POWER_H
PANEL_POWER_H
LIGHT_CONTROL



NOTE: THIS SCHEMATIC DIAGRAM IS THE LATEST AT THE TIME OF PRINTING AND SUBJECT TO CHANGE WITHOUT NOTICE.

NOTE: THE DC VOLTAGE AT EACH PART WAS MEASURED WITH THE DIGITAL TESTER WHEN THE COLOR BROADCAST WAS RECEIVED IN GOOD CONDITION AND PICTURE IS NORMAL.

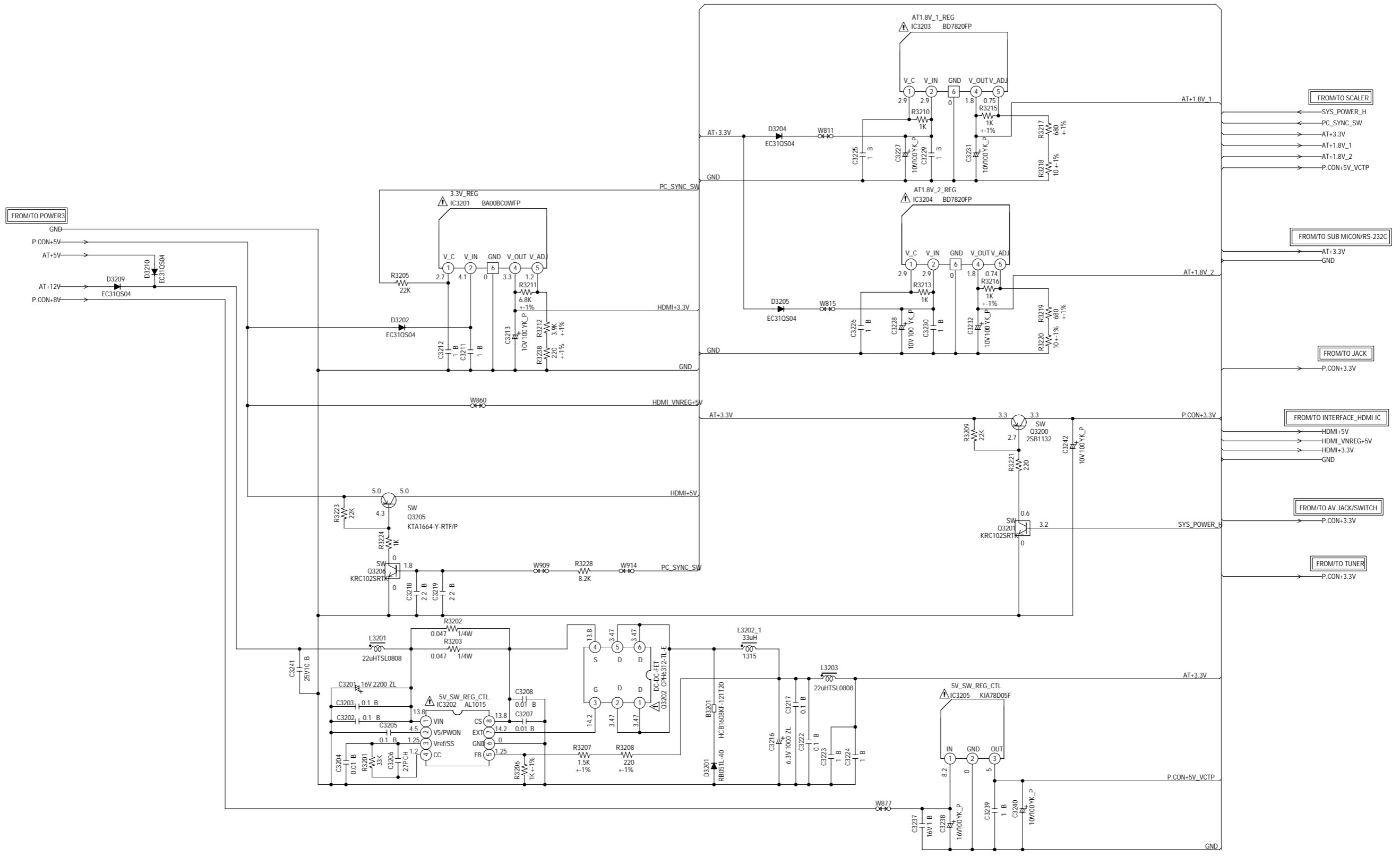
NOTE: THE RESISTOR MARKED F IS FUSE RESISTOR. THE ALUMI ELECTROLYTIC CAPACITOR MARKED NP IS NON POLAR ONE.

CAUTION: SINCE THESE PARTS MARKED BY Δ ARE CRITICAL FOR SAFETY, USE ONES DESCRIBED IN PARTS LIST ONLY.

ATTENTION: LES PIECES REPARÉES PAR UN Δ ETANT DANGEREUSES AN POINT DE VUE SECURITE N'UTILISER QUE CELLS DECRITES DANS LA NOMENCLATURE DES PIECES.

PCBF40
CMF111

REGULATOR SCHEMATIC DIAGRAM (MAIN PCB)



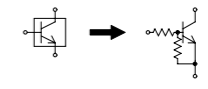
NOTE: THIS SCHEMATIC DIAGRAM IS THE LATEST AT THE TIME OF PRINTING AND SUBJECT TO CHANGE WITHOUT NOTICE.

NOTE: THE DC VOLTAGE AT EACH PART WAS MEASURED WITH THE DIGITAL TESTER WHEN THE COLOR BROADCAST WAS RECEIVED IN GOOD CONDITION AND PICTURE IS NORMAL.

CAUTION SINCE THESE PARTS MARKED BY ARE CRITICAL FOR SAFETY, USE ONES DESCRIBED IN PARTS LIST ONLY.

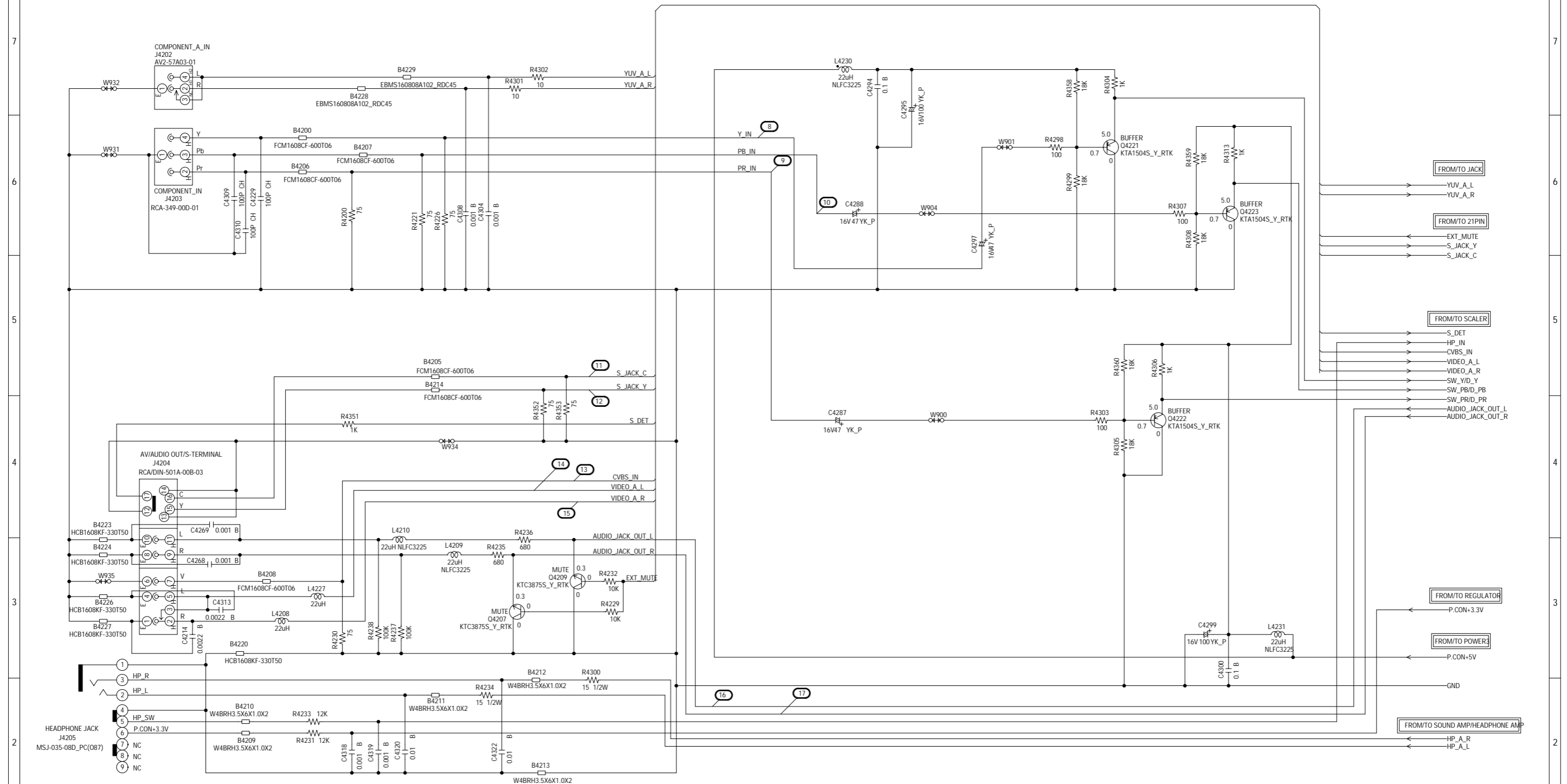
ATTENTION LES PIÈCES RÉPARÉES PAR UN ÉTANT DANGEREUSES AN POINT DE VUE SÉCURITÉ N'UTILISER QUE CELLES DÉCRITES DANS LA NOMENCLATURE DES PIÈCES.

CAUTION: DIGITAL TRANSISTOR



PCBF40
CMF111

AV JACK/SWITCH SCHEMATIC DIAGRAM (MAIN PCB)



ACCESSORY

TM101
(M32L-01D) R56-1242
(M32L-02D) R56-1256

CD3810_1
P205-1324-4

BT001 GR6M
BT002 GR6M

NOTE: THIS SCHEMATIC DIAGRAM IS THE LATEST AT THE TIME OF PRINTING AND SUBJECT TO CHANGE WITHOUT NOTICE.

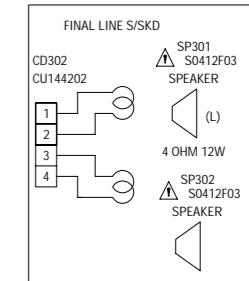
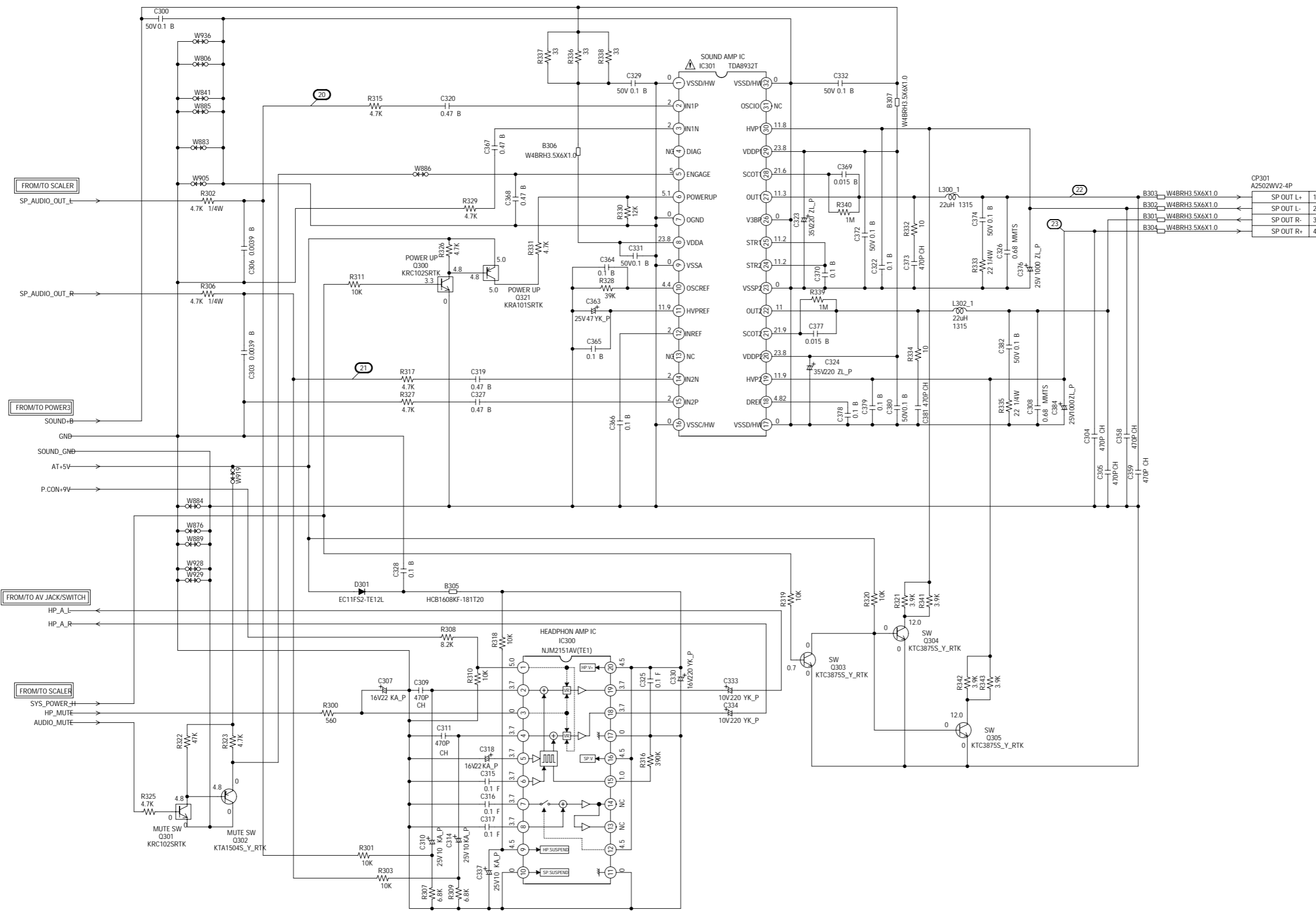
NOTE: THE DC VOLTAGE AT EACH PART WAS MEASURED WITH THE DIGITAL TESTER WHEN THE COLOR BROADCAST WAS RECEIVED IN GOOD CONDITION AND PICTURE IS NORMAL.

CAUTION SINCE THESE PARTS MARKED BY ARE CRITICAL FOR SAFETY, USE ONES DESCRIBED IN PARTS LIST ONLY.

ATTENTION LES PIÈCES RÉPARÉES PAR UN ÉTANT DANGEREUSES AN POINT DE VUE SECURITE N'UTILISER QUE CELLS DÉCRITES DANS LA NOMENCLATURE DES PIÈCES.

PCBF40
CMF111

SOUND AMP/HEADPHONE AMP SCHEMATIC DIAGRAM (MAIN PCB)



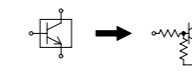
NOTE: THIS SCHEMATIC DIAGRAM IS THE LATEST AT THE TIME OF PRINTING AND SUBJECT TO CHANGE WITHOUT NOTICE.

NOTE: THE DC VOLTAGE AT EACH PART WAS MEASURED WITH THE DIGITAL TESTER WHEN THE COLOR BROADCAST WAS RECEIVED IN GOOD CONDITION AND PICTURE IS NORMAL.

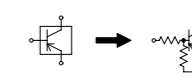
CAUTION SINCE THESE PARTS MARKED BY ARE CRITICAL FOR SAFETY, USE ONES DESCRIBED IN PARTS LIST ONLY.

ATTENTION LES PIÈCES RÉPARÉES PAR UN ÉTANT DANGEREUSES AN POINT DE VUE SECURITE N'UTILISER QUE CELLS DECRITES DANS LA NOMENCLATURE DES PIÈCES.

CAUTION: DIGITAL TRANSISTOR

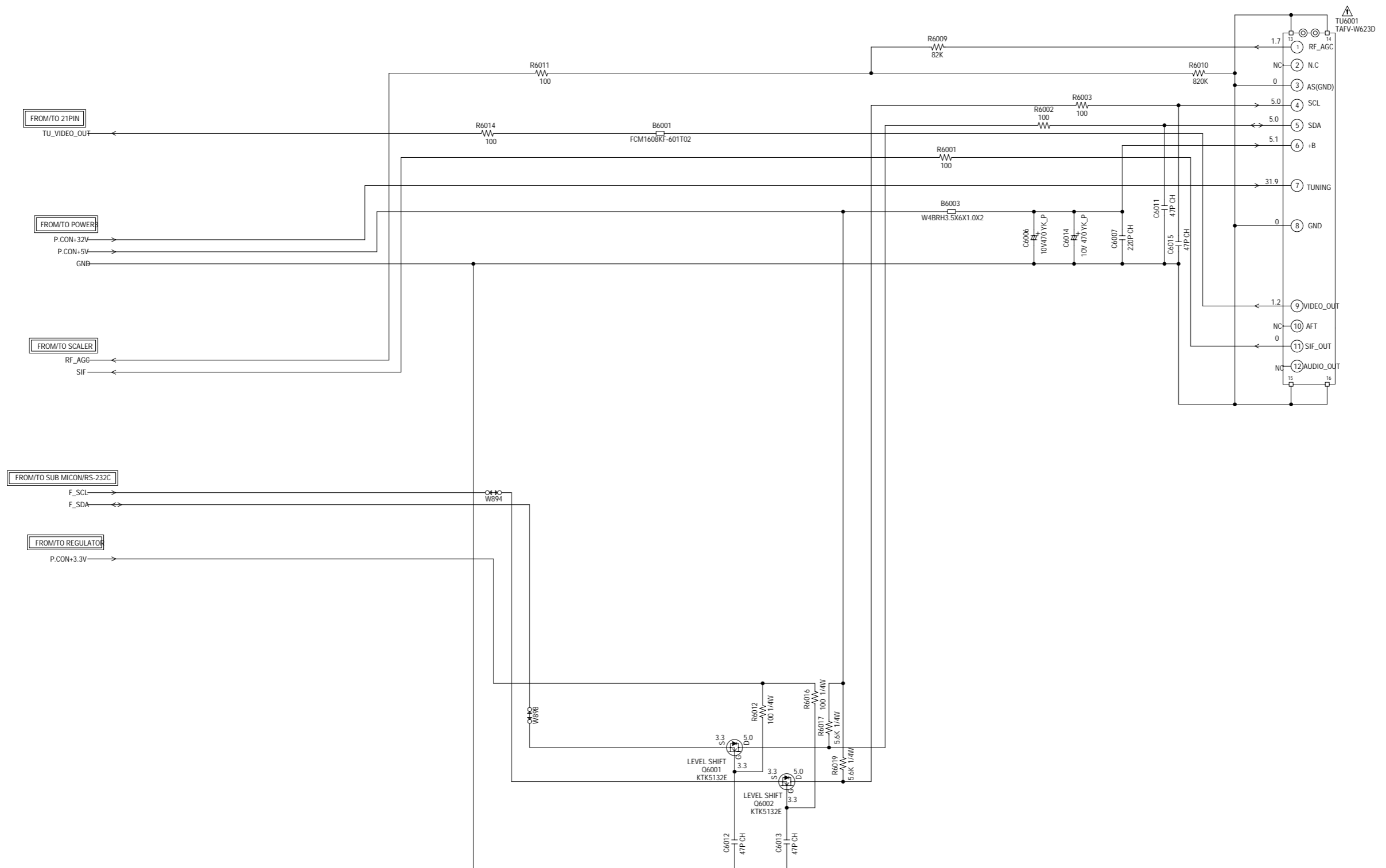


CAUTION: DIGITAL TRANSISTOR



PCBF40
CMF11

TUNER SCHEMATIC DIAGRAM (MAIN PCB)



NOTE: THE DC VOLTAGE AT EACH PART WAS MEASURED WITH THE DIGITAL TESTER WHEN THE COLOR BROADCAST WAS RECEIVED IN GOOD CONDITION AND PICTURE IS NORMAL.

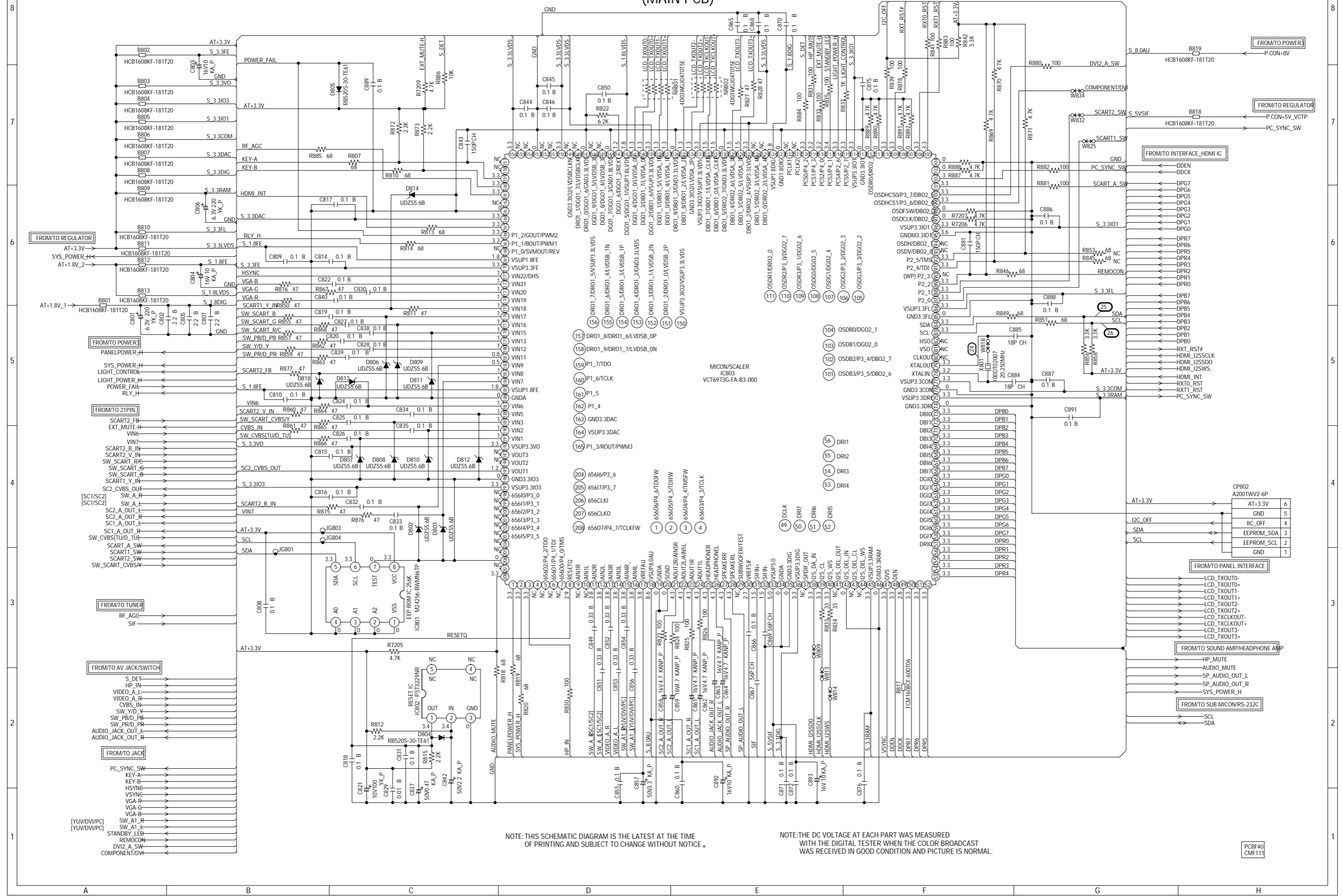
NOTE: THIS SCHEMATIC DIAGRAM IS THE LATEST AT THE TIME OF PRINTING AND SUBJECT TO CHANGE WITHOUT NOTICE.

CAUTION SINCE THESE PARTS MARKED BY ARE CRITICAL FOR SAFETY, USE ONES DESCRIBED IN PARTS LIST ONLY.

ATTENTION LES PIÈCES RÉPARÉES PAR UN ÉTANT DANGEREUSES AN POINT DE VUE SECURITE N'UTILISER QUE CELLS DECRITES DANS LA NOMENCLATURE DES PIÈCES.

PCBF40
CMF111

SCALER SCHEMATIC DIAGRAM (MAIN PCB)

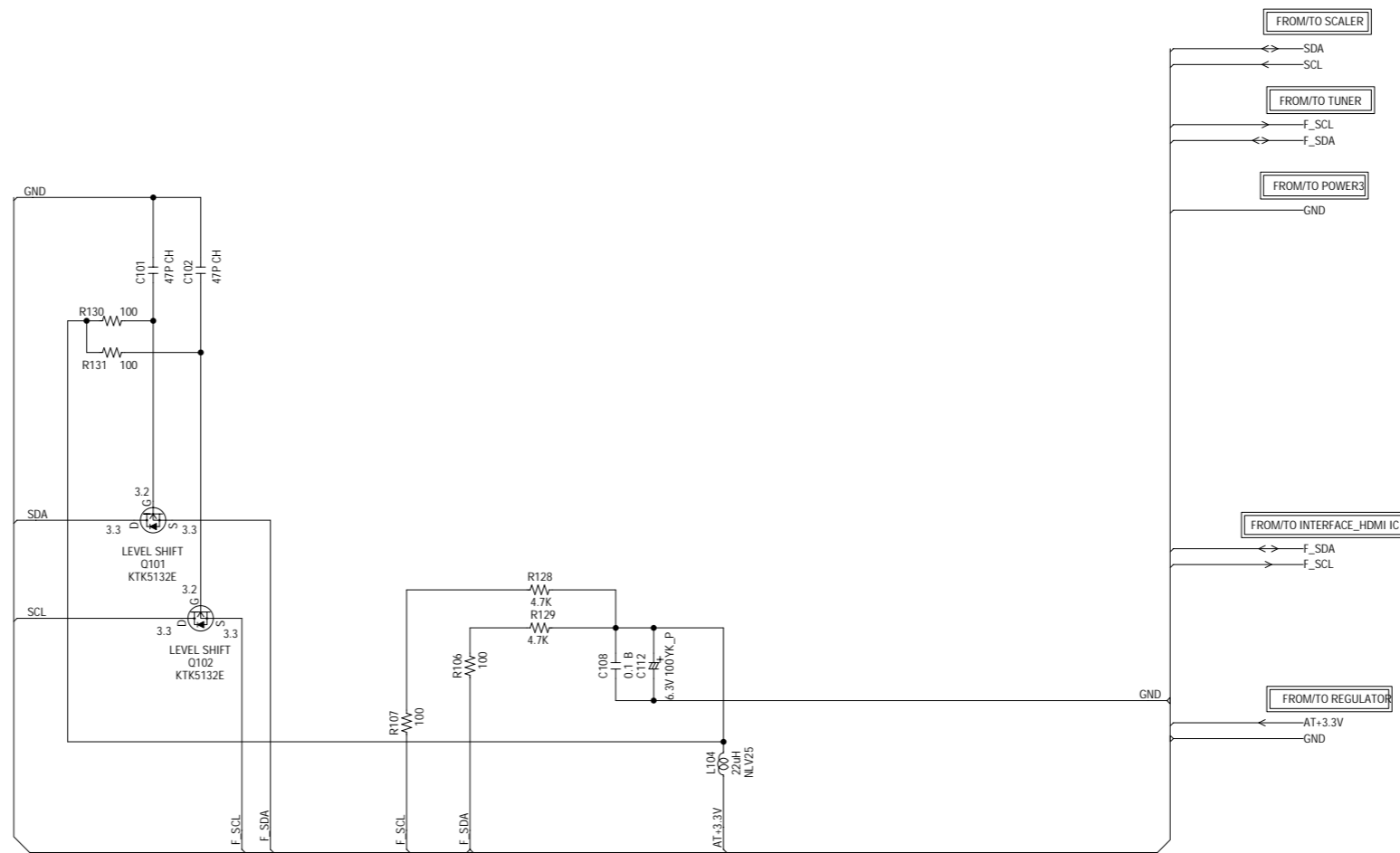


NOTE: THIS SCHEMATIC DIAGRAM IS THE LATEST AT THE TIME OF PRINTING AND SUBJECT TO CHANGE WITHOUT NOTICE.

NOTE: THE DC VOLTAGE AT EACH PART WAS MEASURED WITH THE DIGITAL TESTER WHEN THE COLOR BROADCAST WAS RECEIVED IN GOOD CONDITION AND PICTURE IS NORMAL.

PCBF40
CMF111

SUB MICON/RS-232C SCHEMATIC DIAGRAM (MAIN PCB)

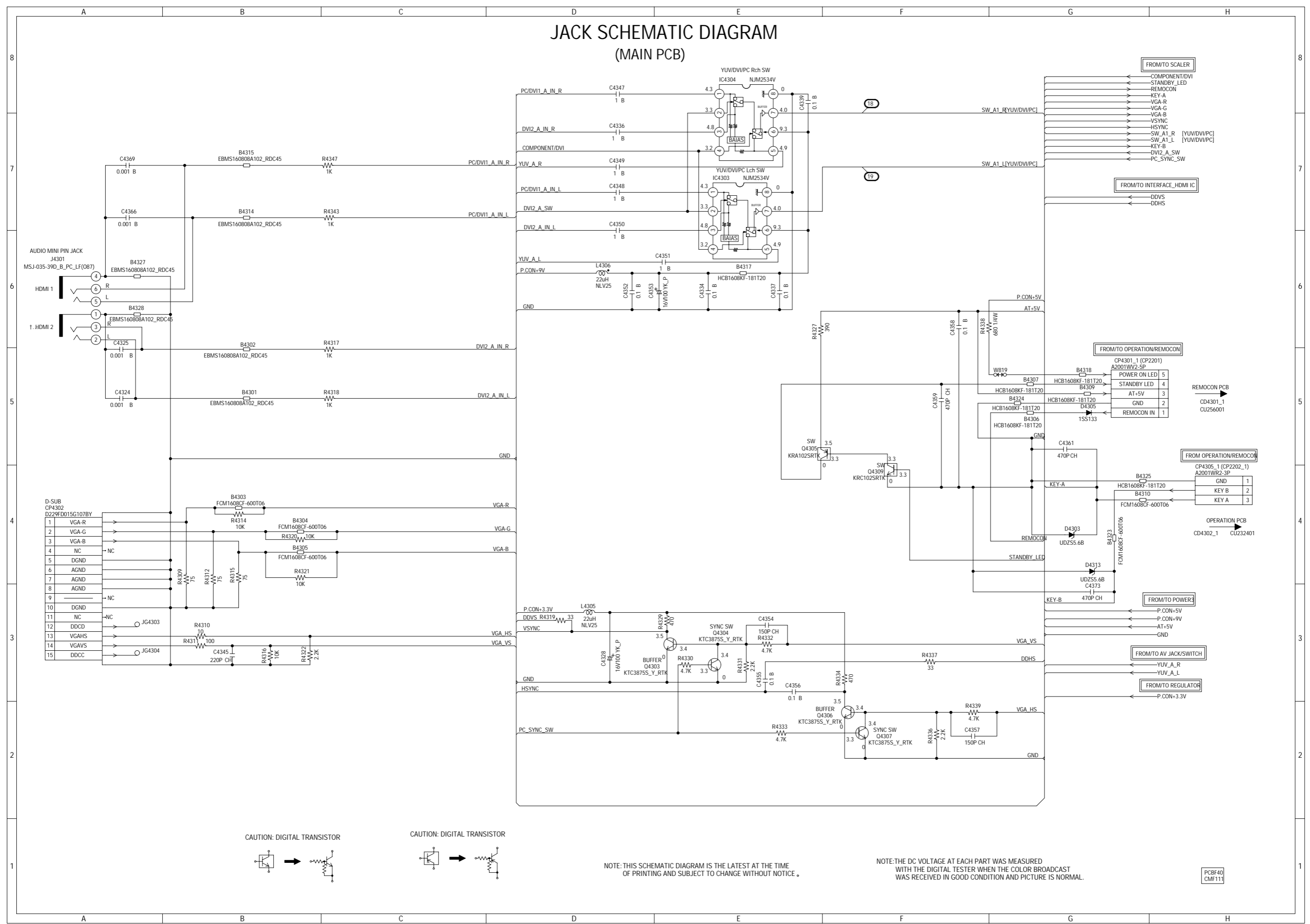


NOTE: THIS SCHEMATIC DIAGRAM IS THE LATEST AT THE TIME OF PRINTING AND SUBJECT TO CHANGE WITHOUT NOTICE.

NOTE: THE DC VOLTAGE AT EACH PART WAS MEASURED WITH THE DIGITAL TESTER WHEN THE COLOR BROADCAST WAS RECEIVED IN GOOD CONDITION AND PICTURE IS NORMAL.

PCBF00
CMF111

JACK SCHEMATIC DIAGRAM (MAIN PCB)

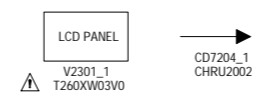
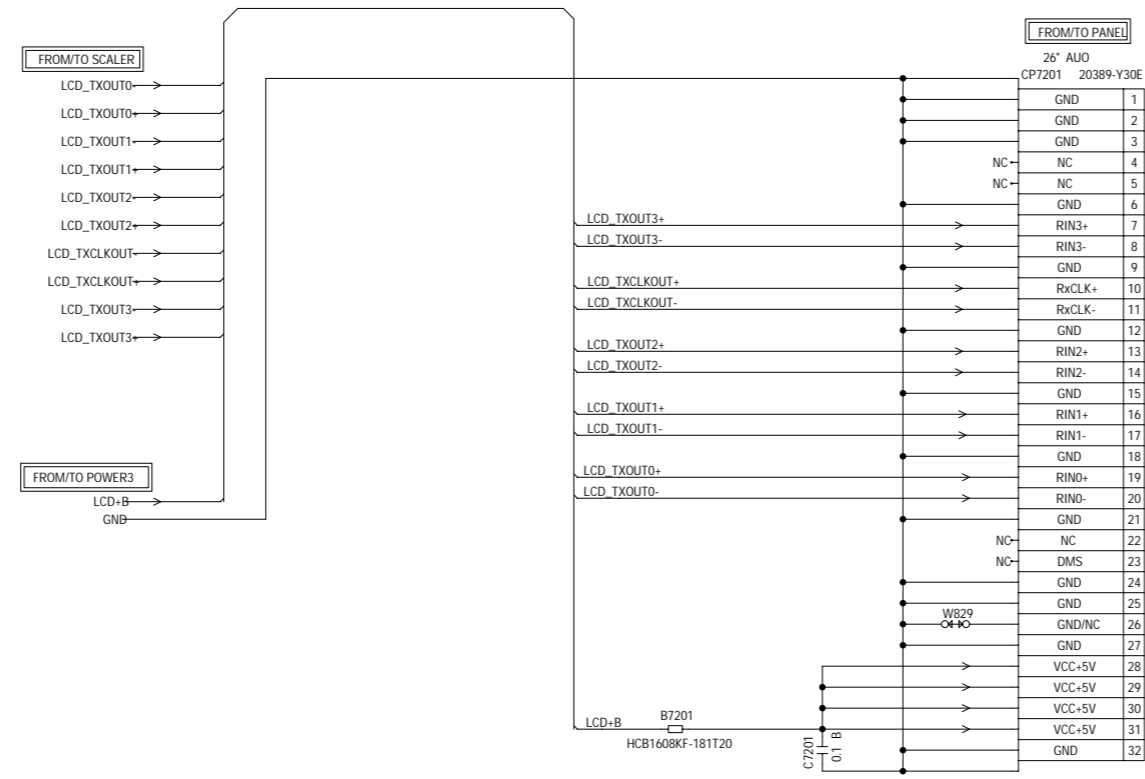


NOTE: THIS SCHEMATIC DIAGRAM IS THE LATEST AT THE TIME OF PRINTING AND SUBJECT TO CHANGE WITHOUT NOTICE.

NOTE: THE DC VOLTAGE AT EACH PART WAS MEASURED WITH THE DIGITAL TESTER WHEN THE COLOR BROADCAST WAS RECEIVED IN GOOD CONDITION AND PICTURE IS NORMAL.

PCBF40
CMF111

PANEL INTERFACE DIAGRAM (MAIN PCB)



NOTE: THIS SCHEMATIC DIAGRAM IS THE LATEST AT THE TIME OF PRINTING AND SUBJECT TO CHANGE WITHOUT NOTICE.

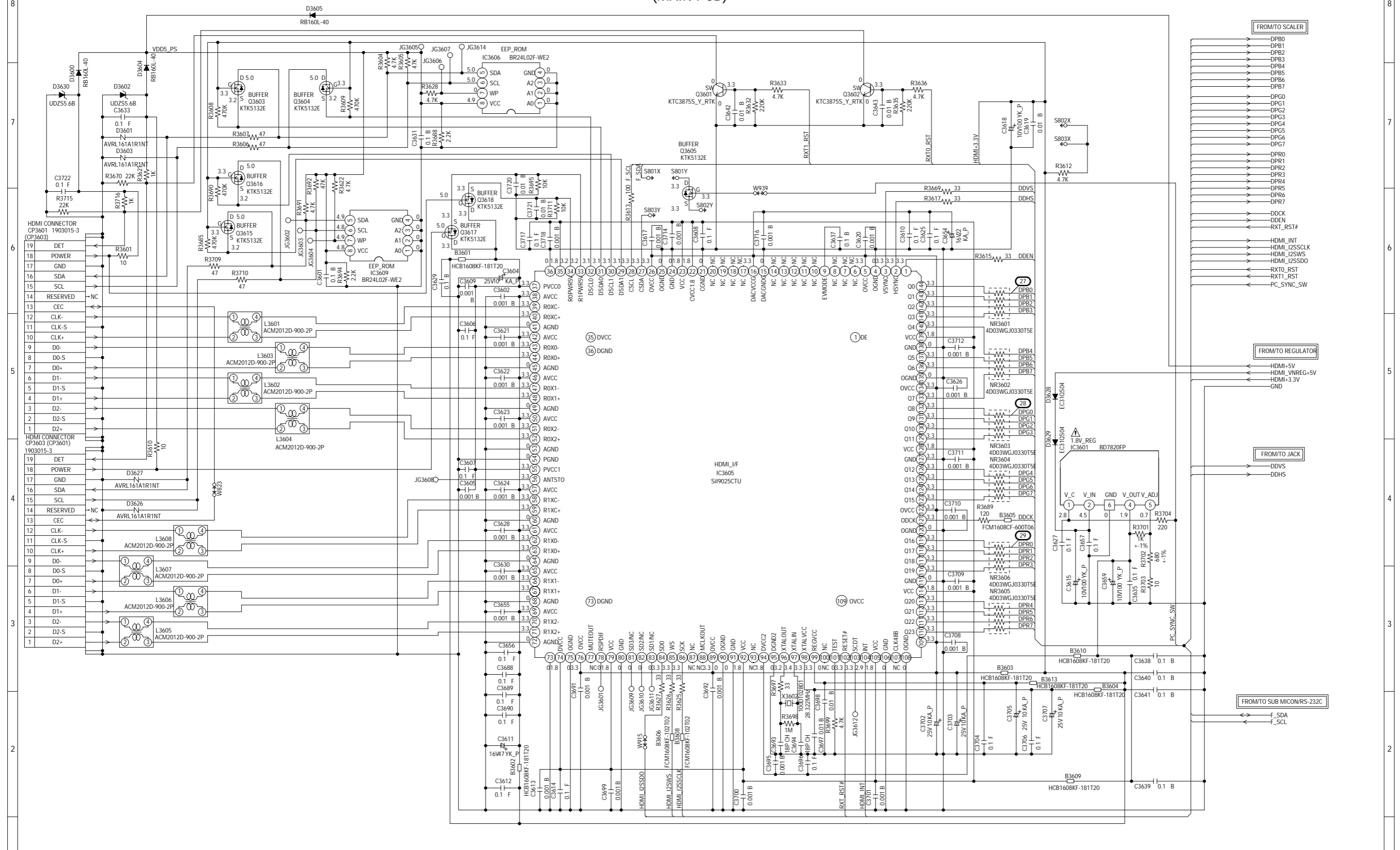
NOTE: THE DC VOLTAGE AT EACH PART WAS MEASURED WITH THE DIGITAL TESTER WHEN THE COLOR BROADCAST WAS RECEIVED IN GOOD CONDITION AND PICTURE IS NORMAL.

CAUTION SINCE THESE PARTS MARKED BY ARE CRITICAL FOR SAFETY, USE ONES DESCRIBED IN PARTS LIST ONLY.

ATTENTION LES PIÈCES RÉPARÉES PAR UN ETANT DANGEREUSES AU POINT DE VUE SÉCURITÉ N'UTILISER QUE CELLES DÉCRITES DANS LA NOMENCLATURE DES PIÈCES.

PCBF40
CMF111

INTERFACE_HDMI IC SCHEMATIC DIAGRAM (MAIN PCB)



NOTE: THIS SCHEMATIC DIAGRAM IS THE LATEST AT THE TIME OF PRINTING AND SUBJECT TO CHANGE WITHOUT NOTICE.

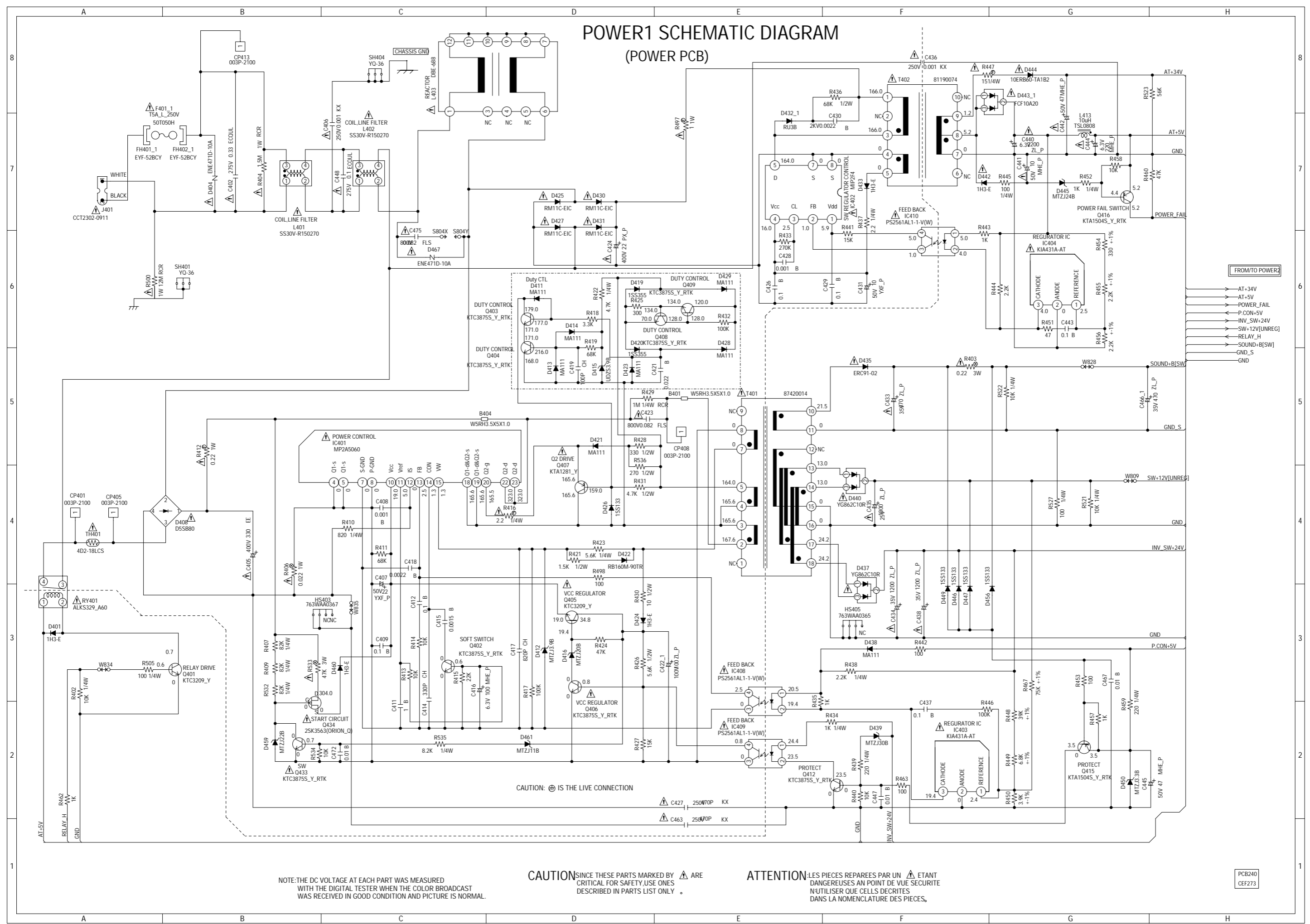
NOTE: THE DC VOLTAGE AT EACH PART WAS MEASURED WITH THE DIGITAL TESTER WHEN THE COLOR BROADCAST WAS RECEIVED IN GOOD CONDITION AND PICTURE IS NORMAL.

CAUTION SINCE THESE PARTS MARKED BY Δ ARE CRITICAL FOR SAFETY, USE ONES DESCRIBED IN PARTS LIST ONLY.

ATTENTION LES PIÈCES RÉPARÉES PAR UN Δ ÉTANT DANGEREUSES AN POINT DE VUE SECURITE UTILISER QUE CELLS DECRITES DANS LA NOMENCLATURE DES PIÈCES.

PCBF40
CMF111

POWER1 SCHEMATIC DIAGRAM (POWER PCB)



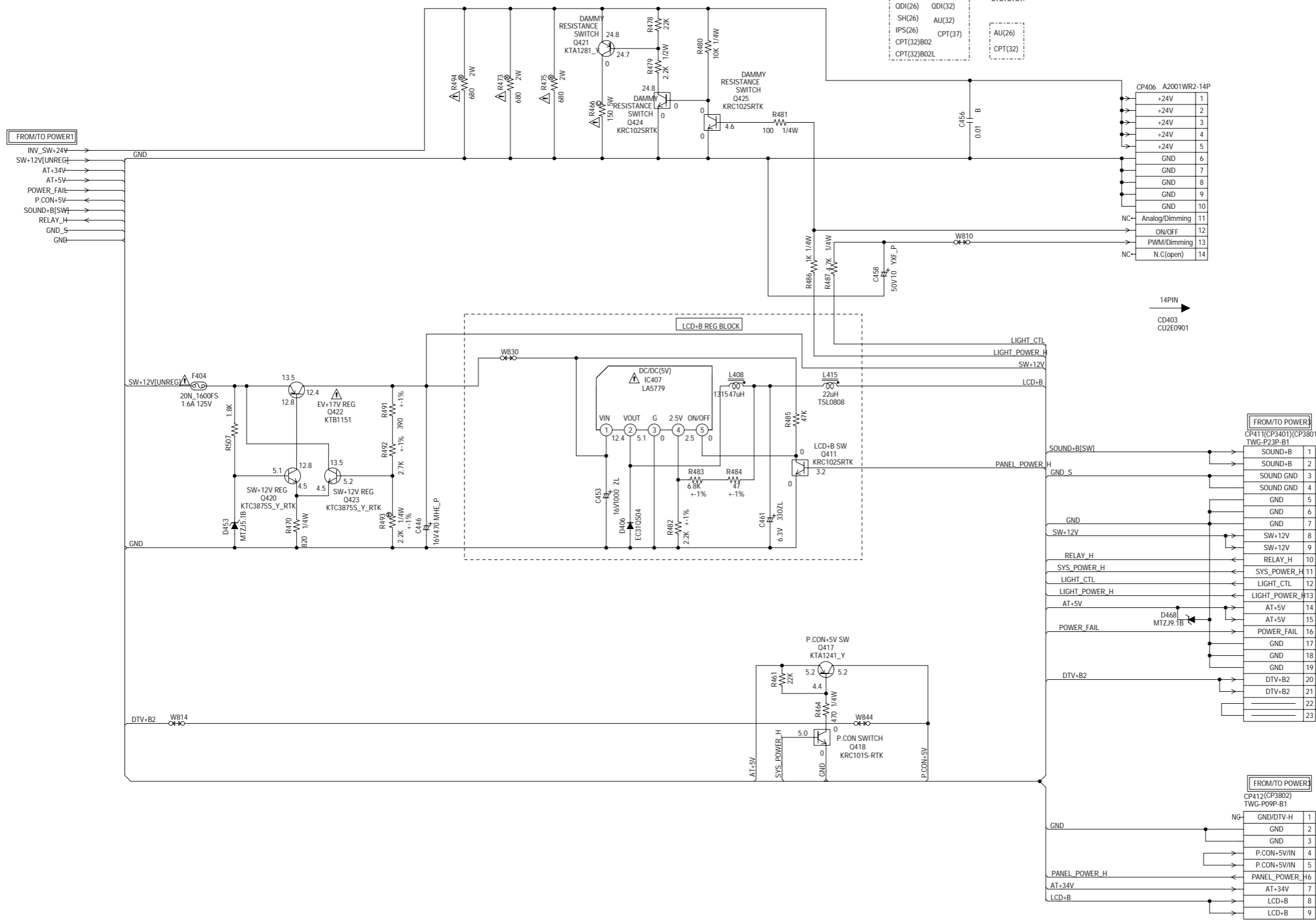
NOTE: THE DC VOLTAGE AT EACH PART WAS MEASURED WITH THE DIGITAL TESTER WHEN THE COLOR BROADCAST WAS RECEIVED IN GOOD CONDITION AND PICTURE IS NORMAL.

CAUTION SINCE THESE PARTS MARKED BY ARE CRITICAL FOR SAFETY, USE ONES DESCRIBED IN PARTS LIST ONLY.

ATTENTION LES PIECES REPARÉES PAR UN ÉTANT DANGEREUSES AN POINT DE VUE SECURITE N'UTILISER QUE CELLES DECRITES DANS LA NOMENCLATURE DES PIECES.

PCB240
CEF273

POWER2 SCHEMATIC DIAGRAM (POWER PCB)



NOTE: THIS SCHEMATIC DIAGRAM IS THE LATEST AT THE TIME OF PRINTING AND SUBJECT TO CHANGE WITHOUT NOTICE.
NOTE: THE DC VOLTAGE AT EACH PART WAS MEASURED WITH THE DIGITAL TESTER WHEN THE COLOR BROADCAST WAS RECEIVED IN GOOD CONDITION AND PICTURE IS NORMAL.

CAUTION SINCE THESE PARTS MARKED BY ARE CRITICAL FOR SAFETY, USE ONES DESCRIBED IN PARTS LIST ONLY.

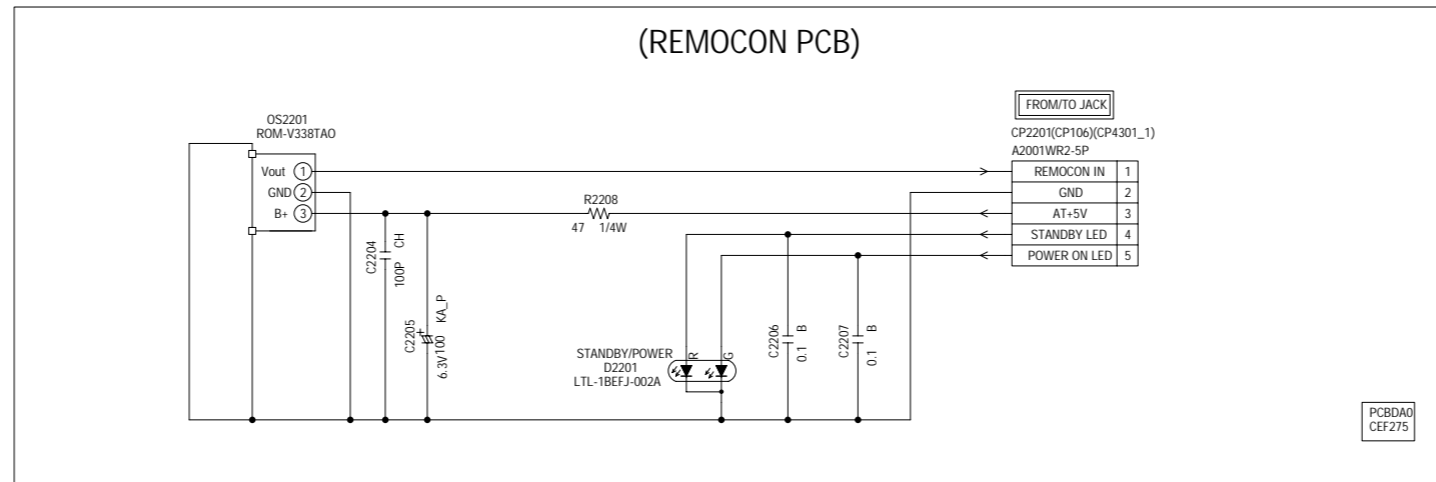
ATTENTION LES PIÈCES RÉPARÉES PAR UN ÉTANT DANGEREUSES AN POINT DE VUE SÉCURITÉ, N'UTILISER QUE CELLES DÉCRITES DANS LA NOMENCLATURE DES PIÈCES.

CAUTION: DIGITAL TRANSISTOR

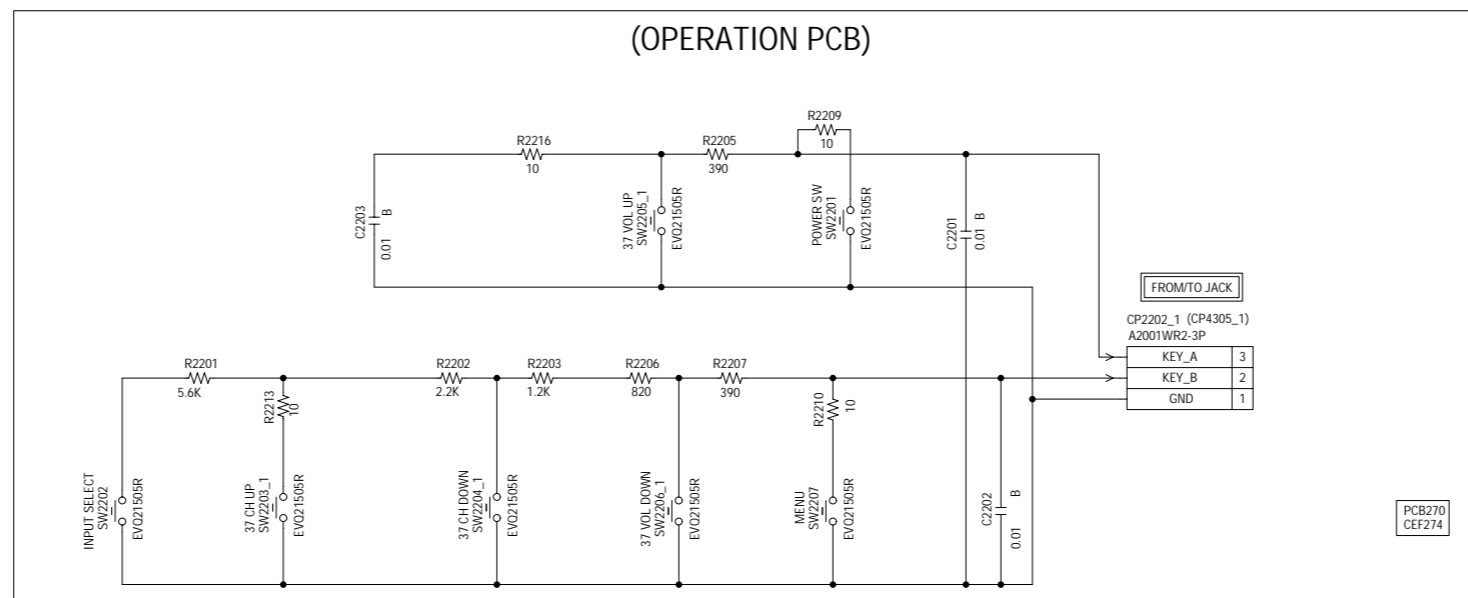
PCB240
CEF273

OPERATION/REMOCON SCHEMATIC DIAGRAM

(REMOCON PCB)



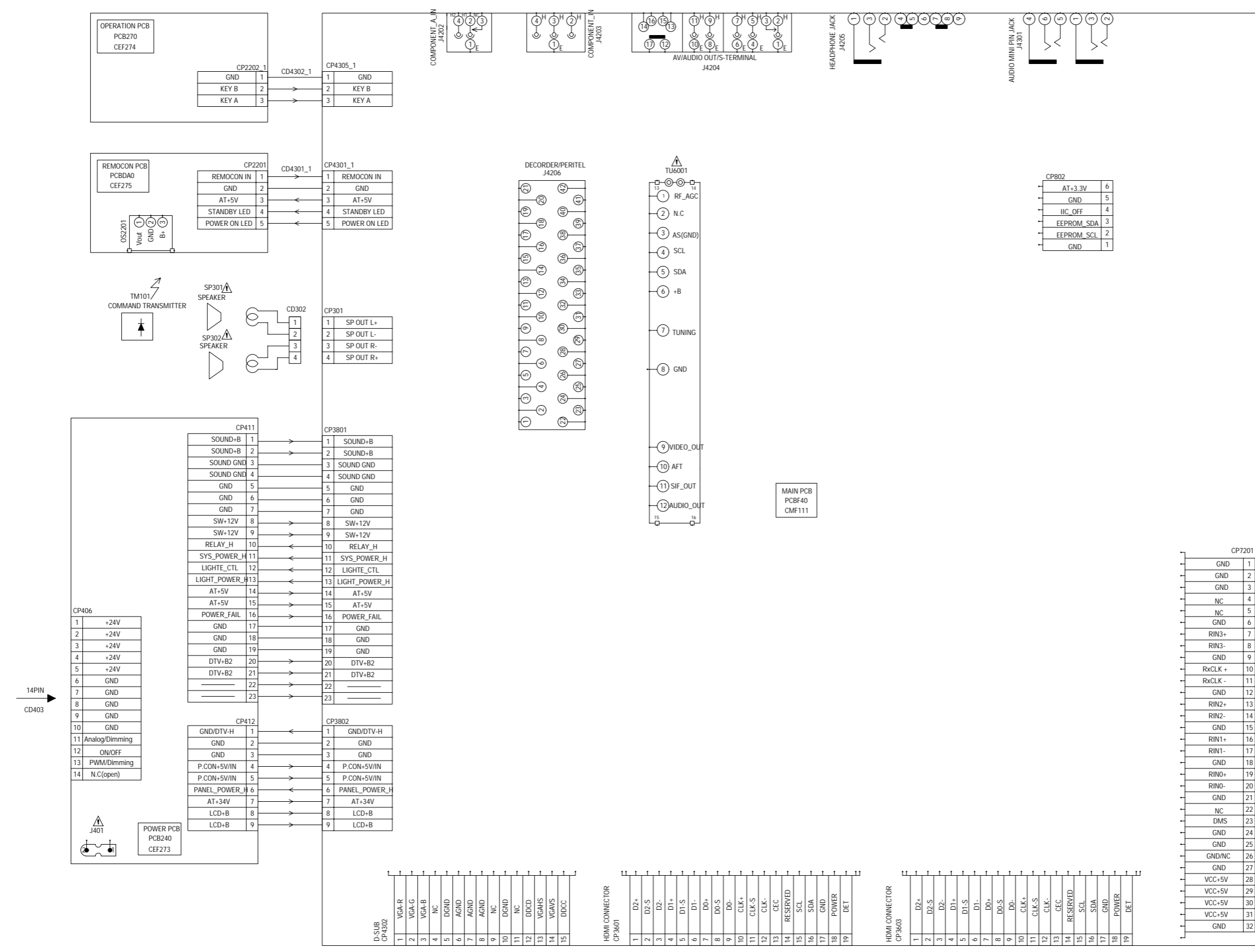
(OPERATION PCB)



NOTE: THIS SCHEMATIC DIAGRAM IS THE LATEST AT THE TIME OF PRINTING AND SUBJECT TO CHANGE WITHOUT NOTICE.

NOTE: THE DC VOLTAGE AT EACH PART WAS MEASURED WITH THE DIGITAL TESTER WHEN THE COLOR BROADCAST WAS RECEIVED IN GOOD CONDITION AND PICTURE IS NORMAL.

INTERCONNECTION DIAGRAM

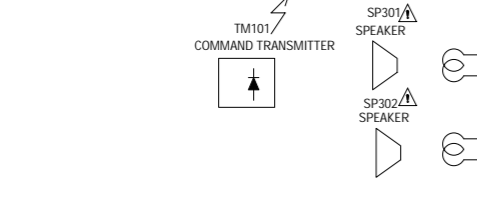


OPERATION PCB
PCB270
CEF274

CP2202_1	1	GND
	2	KEY B
	3	KEY A

REMOCON PCB
PCBDA0
CEF275

CP2201	1	REMOCON IN
	2	GND
	3	AT+5V
	4	STANDBY LED
	5	POWER ON LED



CP411

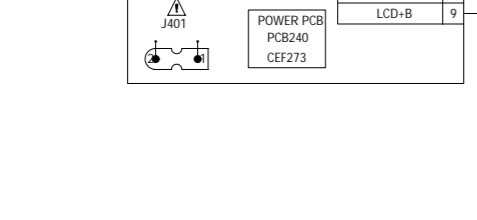
1	SOUND-B
2	SOUND+B
3	SOUND GND
4	SOUND GND
5	GND
6	GND
7	GND
8	SW+12V
9	SW+12V
10	RELAY_H
11	SYS_POWER_H
12	LIGHT_CTL
13	LIGHT_POWER_H
14	AT+5V
15	AT+5V
16	POWER_FAIL
17	GND
18	GND
19	GND
20	DTV-B2
21	DTV-B2
22	
23	

CP406

1	+24V
2	+24V
3	+24V
4	+24V
5	+24V
6	GND
7	GND
8	GND
9	GND
10	GND
11	Analog/Dimming
12	ON/OFF
13	PWM/Dimming
14	N.C(open)

CP412

1	GND/DTV-H
2	GND
3	GND
4	P.CON+5V/IN
5	P.CON+5V/IN
6	PANEL_POWER_H
7	AT+34V
8	LCD-B
9	LCD-B



CP4305_1

1	GND
2	KEY B
3	KEY A

CP4301_1

1	REMOCON IN
2	GND
3	AT+5V
4	STANDBY LED
5	POWER ON LED

CP301

1	SP OUT L+
2	SP OUT L-
3	SP OUT R-
4	SP OUT R+

CP3801

1	SOUND+B
2	SOUND+B
3	SOUND GND
4	SOUND GND
5	GND
6	GND
7	GND
8	SW+12V
9	SW+12V
10	RELAY_H
11	SYS_POWER_H
12	LIGHT_CTL
13	LIGHT_POWER_H
14	AT+5V
15	AT+5V
16	POWER_FAIL
17	GND
18	GND
19	GND
20	DTV-B2
21	DTV-B2
22	
23	

CP3802

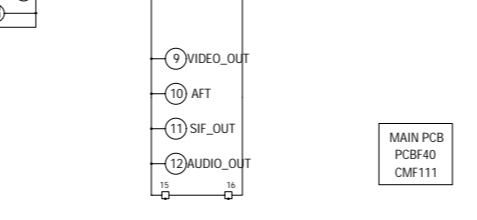
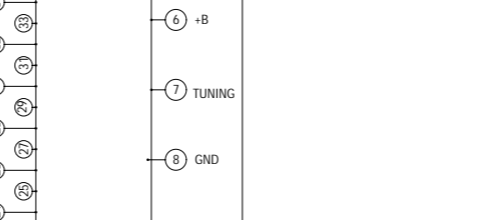
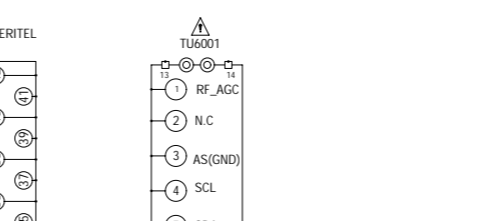
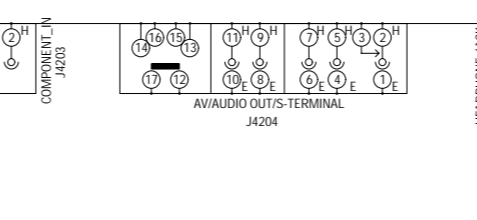
1	GND/DTV-H
2	GND
3	GND
4	P.CON+5V/IN
5	P.CON+5V/IN
6	PANEL_POWER_H
7	AT+34V
8	LCD-B
9	LCD-B

CP411

1	SOUND-B
2	SOUND+B
3	SOUND GND
4	SOUND GND
5	GND
6	GND
7	GND
8	SW+12V
9	SW+12V
10	RELAY_H
11	SYS_POWER_H
12	LIGHT_CTL
13	LIGHT_POWER_H
14	AT+5V
15	AT+5V
16	POWER_FAIL
17	GND
18	GND
19	GND
20	DTV-B2
21	DTV-B2
22	
23	

CP412

1	GND/DTV-H
2	GND
3	GND
4	P.CON+5V/IN
5	P.CON+5V/IN
6	PANEL_POWER_H
7	AT+34V
8	LCD-B
9	LCD-B



CP7201

1	GND
2	GND
3	GND
4	NC
5	NC
6	GND
7	RIN3+
8	RIN3-
9	GND
10	RxCLK+
11	RxCLK-
12	GND
13	RIN2+
14	RIN2-
15	GND
16	RIN1+
17	RIN1-
18	GND
19	RIN0+
20	RIN0-
21	GND
22	NC
23	DMS
24	GND
25	GND/NC
26	GND
27	GND
28	VCC+5V
29	VCC+5V
30	VCC+5V
31	VCC+5V
32	GND



D-SUB CP4302

1	VGA-R
2	VGA-G
3	VGA-B
4	NC
5	DGND
6	AGND
7	AGND
8	AGND
9	NC
10	DGND
11	NC
12	DDCD
13	VGAHS
14	VGAVS
15	DDCC

HDMI CONNECTOR CP3801

1	D2+
2	D2-S
3	D2-
4	D1+
5	D1-S
6	D1-
7	D0+
8	D0-S
9	D0-
10	CLK+
11	CLK-S
12	CLK-
13	CEC
14	RESERVED
15	SCL
16	SDA
17	GND
18	POWER
19	DET

HDMI CONNECTOR CP3803

1	D2+
2	D2-S
3	D2-
4	D1+
5	D1-S
6	D1-
7	D0+
8	D0-S
9	D0-
10	CLK+
11	CLK-S
12	CLK-
13	CEC
14	RESERVED
15	SCL
16	SDA
17	GND
18	POWER
19	DET

NOTE: THIS INTERCONNECTION DIAGRAM IS THE LATEST AT THE TIME OF PRINTING AND SUBJECT TO CHANGE WITHOUT NOTICE .

ATTENTION-LES PIECES REPARÉES PAR UN ETANT DANGEREUSES AN POINT DE VUE SECURITE N'UTILISER QUE CELLS DECRITES DANS LA NOMENCLATURE DES PIECES.

CAUTION-SINCE THESE PARTS MARKED BY ARE CRITICAL FOR SAFETY,USE ONES DESCRIBED IN PARTS LIST ONLY .