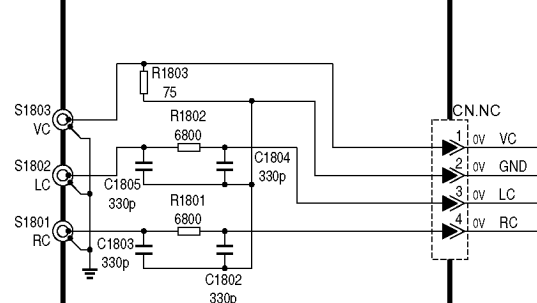
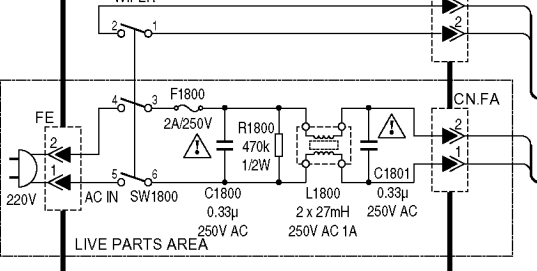
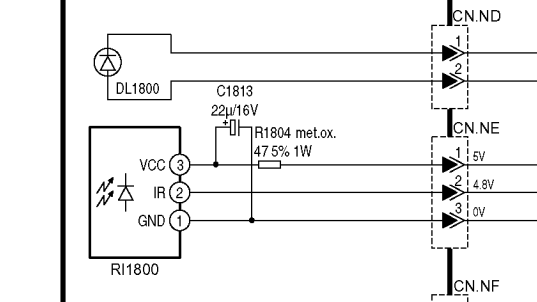
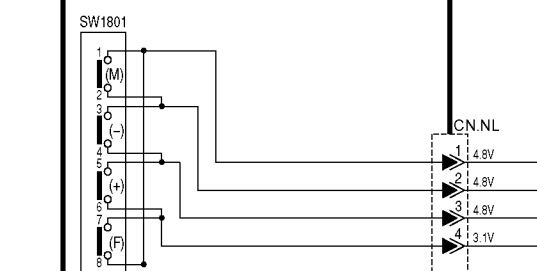
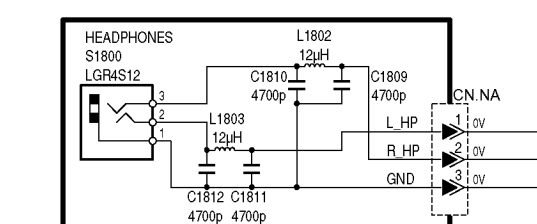
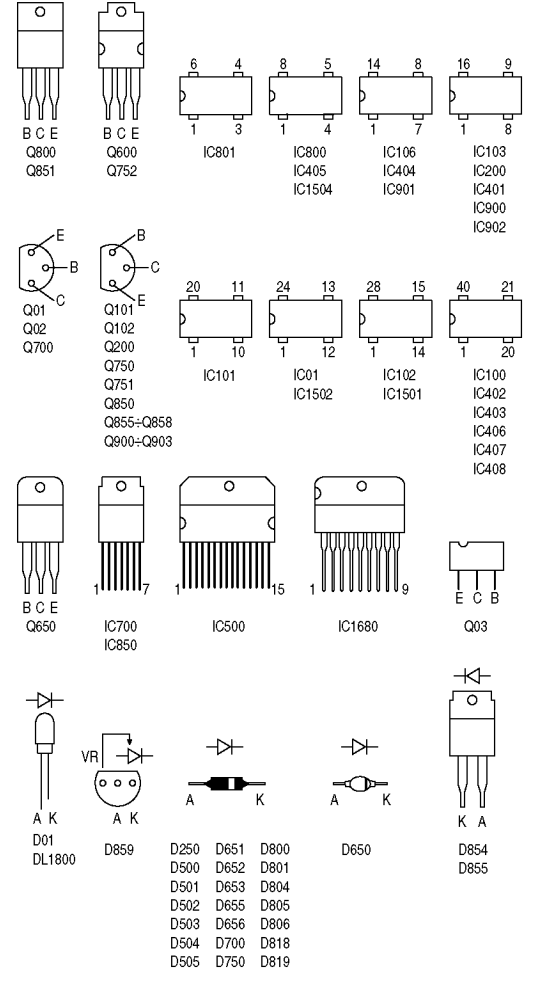
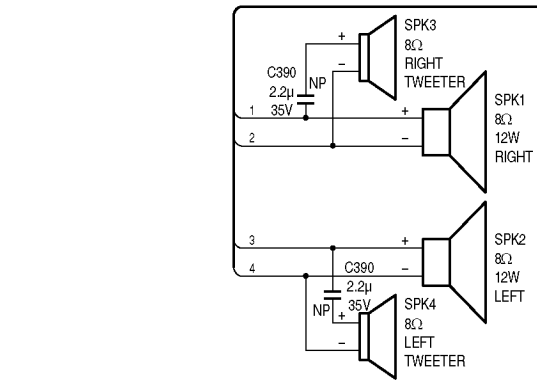
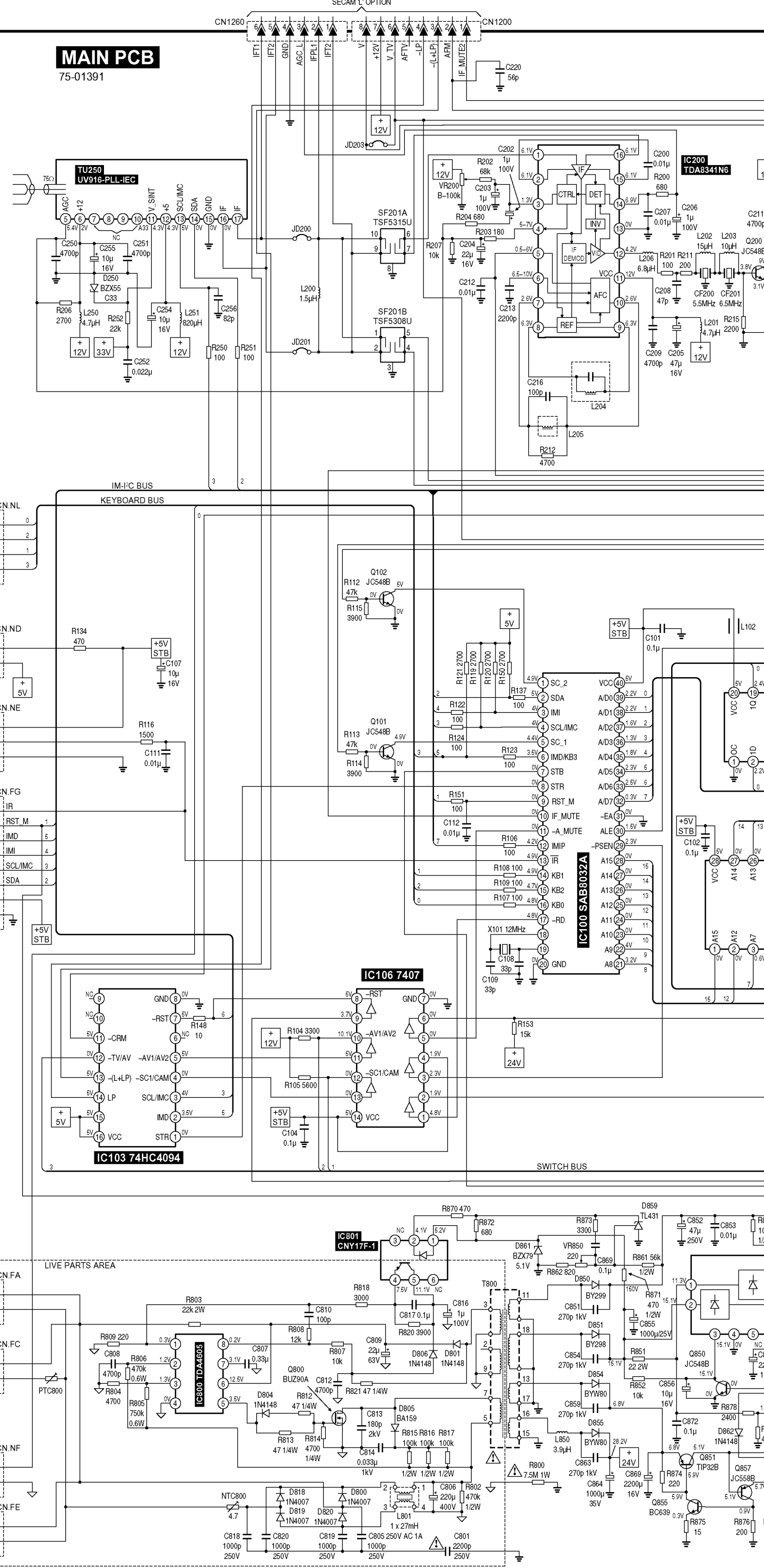


MAIN PCB
75-01391

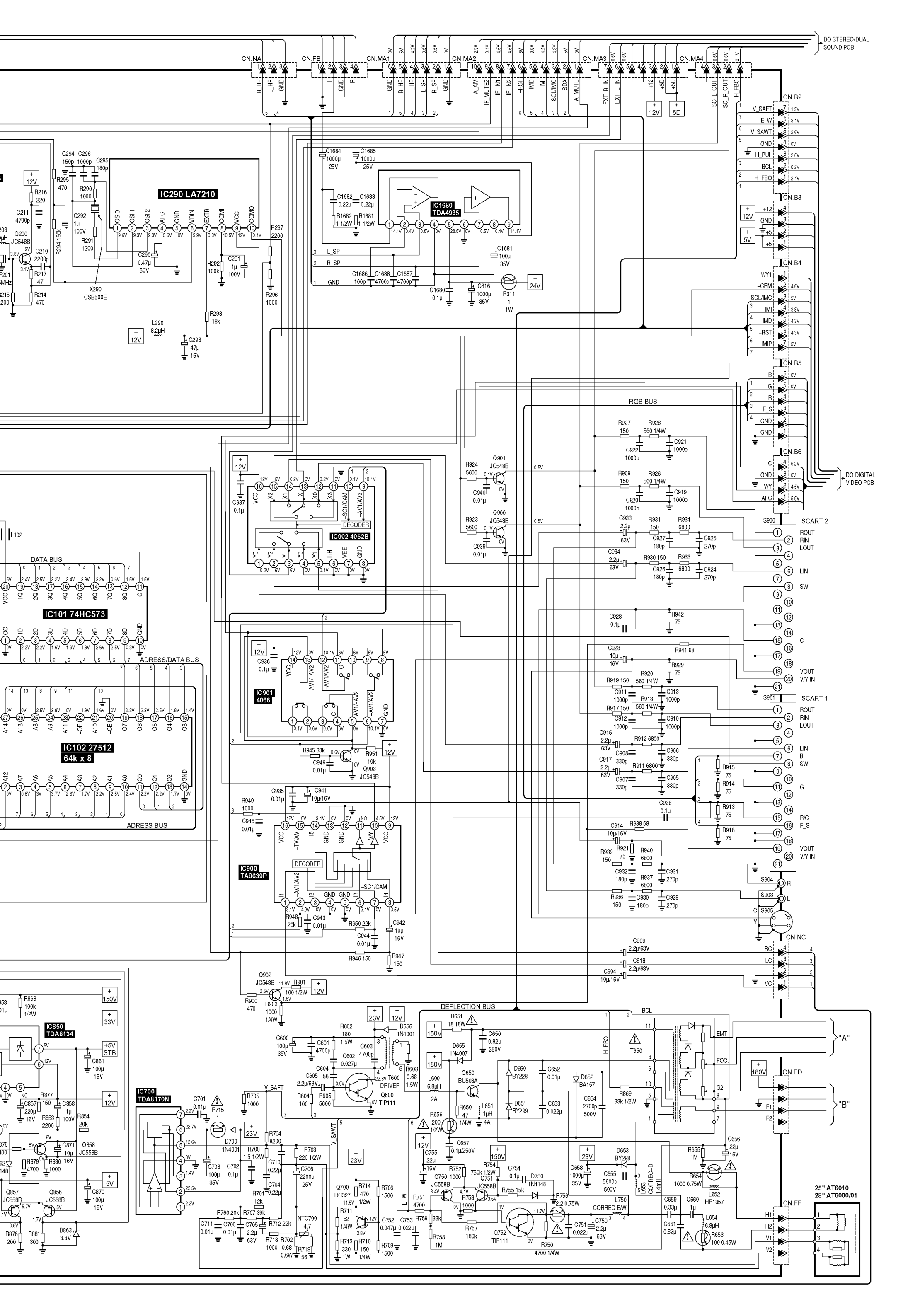


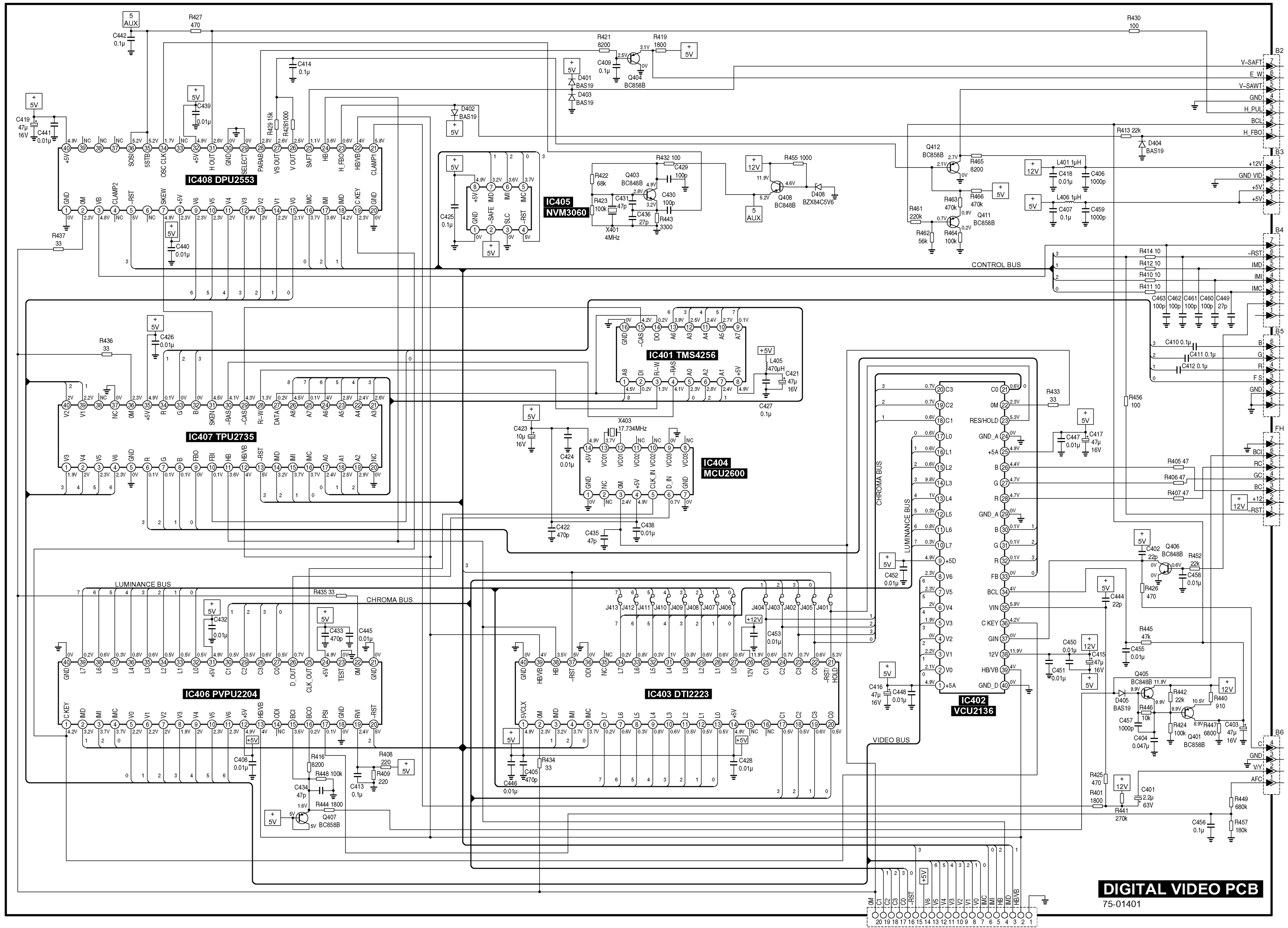
CONTROL PCB
75-01408



LIVE PARTS AREA

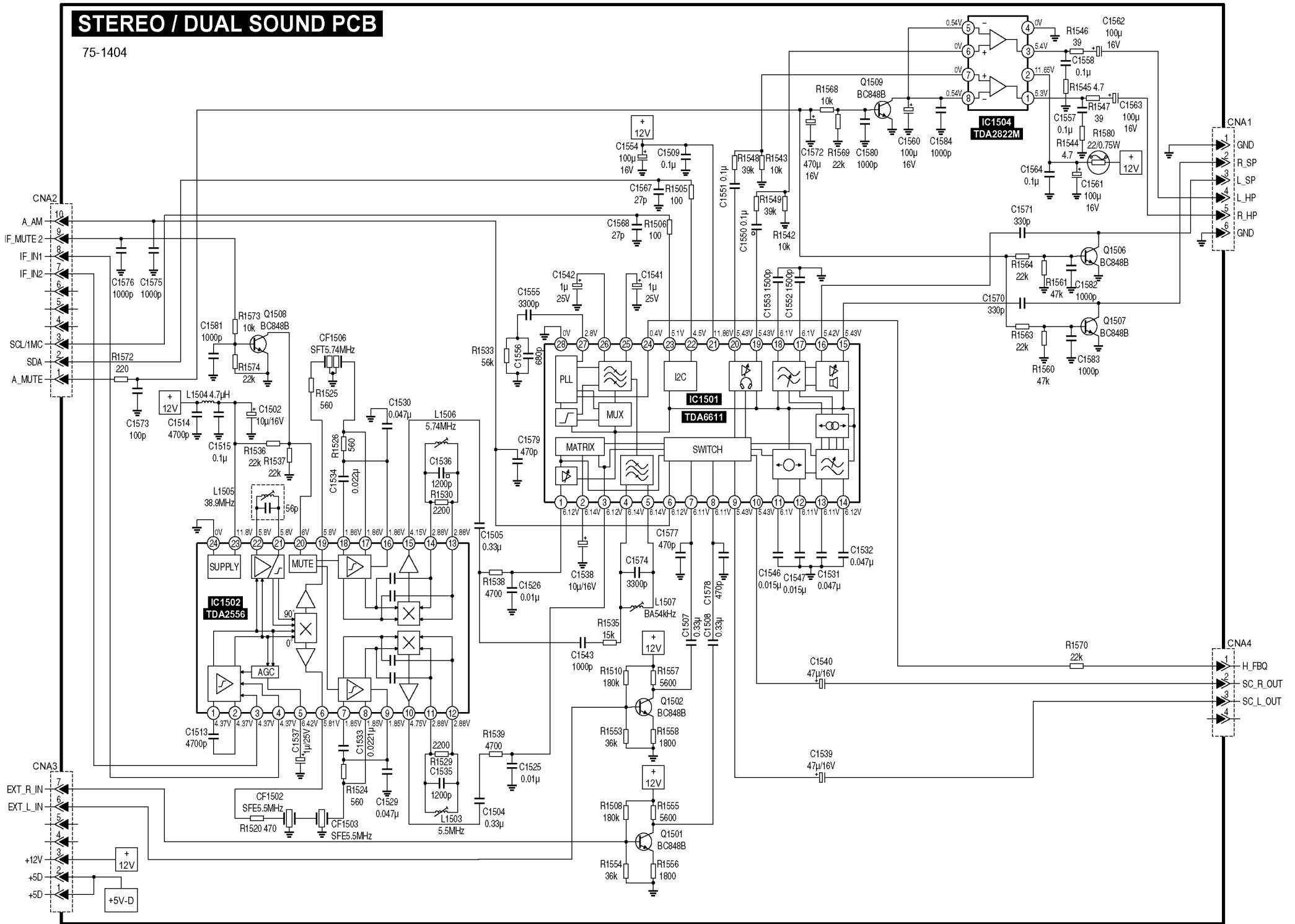
CONTROL PCB





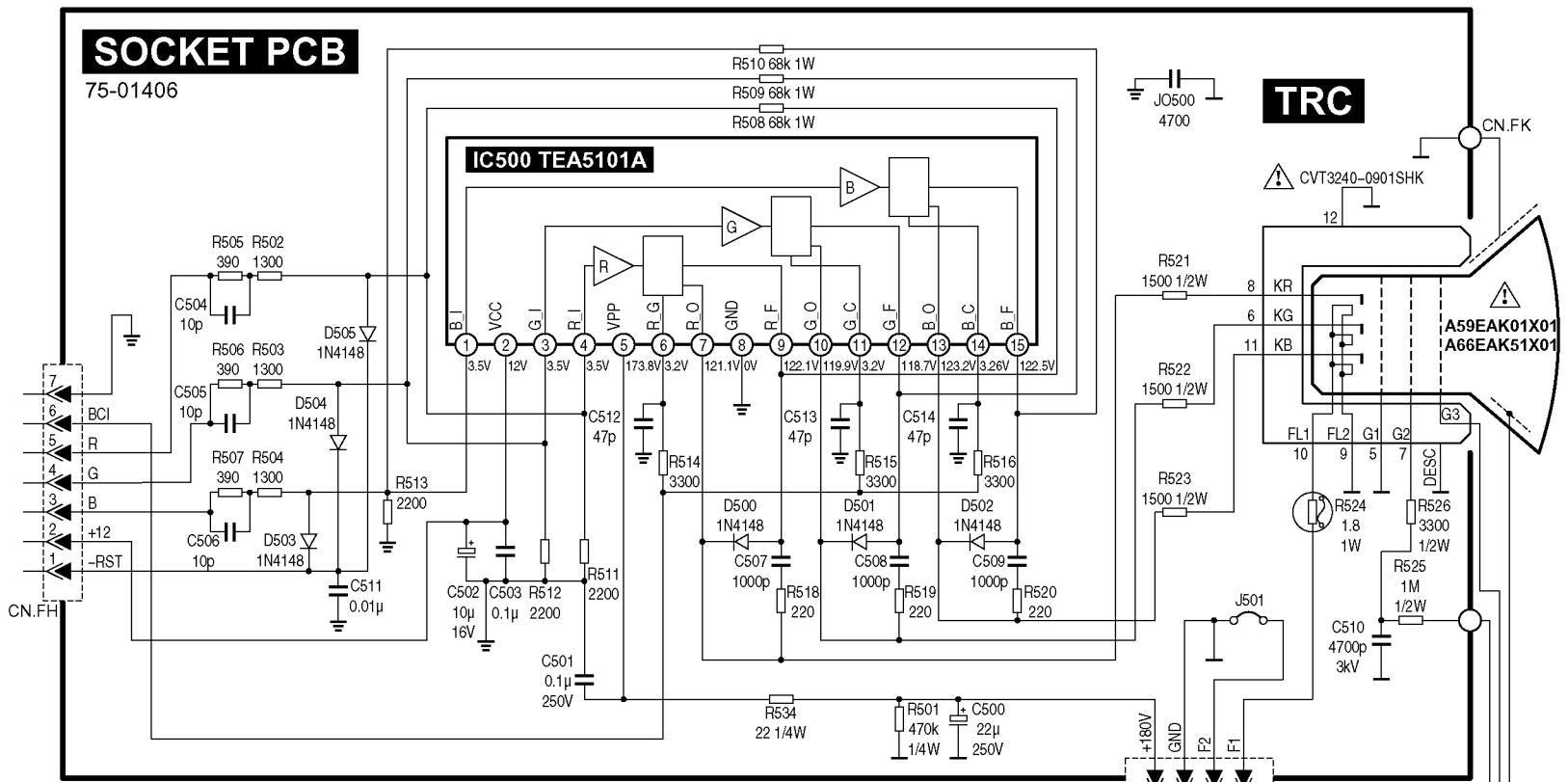
STEREO / DUAL SOUND PCB

75-1404



SOCKET PCB

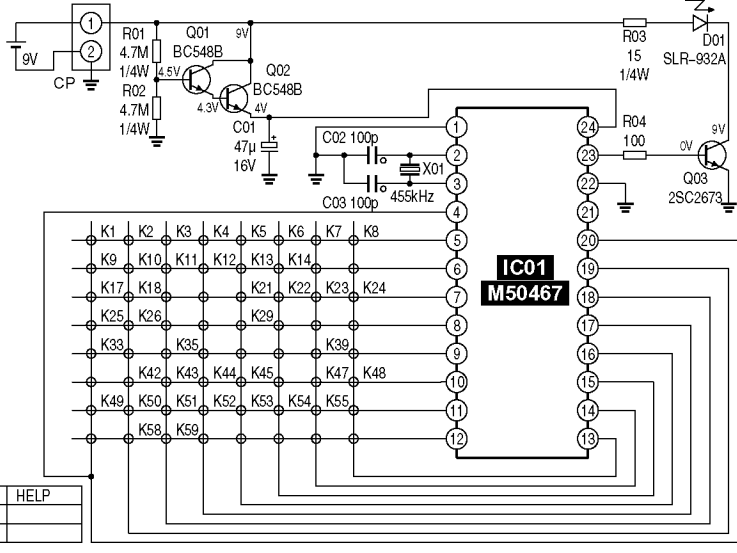
75-01406



I.R. PCB

75-1432

K1	0	K32	
K2	1	K33	SET
K3	2	K34	
K4	3	K35	SET P
K5	4	K36	
K6	5	K37	
K7	6	K38	
K8	7	K39	TEXT
K9	8	K40	
K10	9	K41	
K11	GO-BACK	K42	RED
K12	CH.CATCH	K43	GR.
K13	+P	K44	YEL.
K14	-P	K45	BL.
K16		K47	STOP
K17	TV	K48	REVEAL
K18	NORMAL	K49	CANCEL
K20		K50	INDEX
K21	EXT	K51	MODE
K22	MUTE	K52	SELECT
K23	+ [arrow]	K53	MEMORY
K24	- [arrow]	K54	BANK
K25	REC.H.L.	K55	SIZE
K26	S.PAGE	K56	
K28		K57	
K29		K58	
		K59	HELP
		K60	
		K64	



"A"
"B"

DPU2553	TDA2822M	TPU2735
DTI2223	TDA4605	VCU2136
LA7210	TDA4935	27512
M50467	TDA6611	4052B
MCU2600	TDA8134	4066
NVM3060	TDA8170	7407
PVPU2204	TDA8341N6	74HC4094
SAB8032A	TEA5101A	74HC4094
TA8639P	TMS4256	74HC573
TDA2556	CNY17F-1 - transpotor	