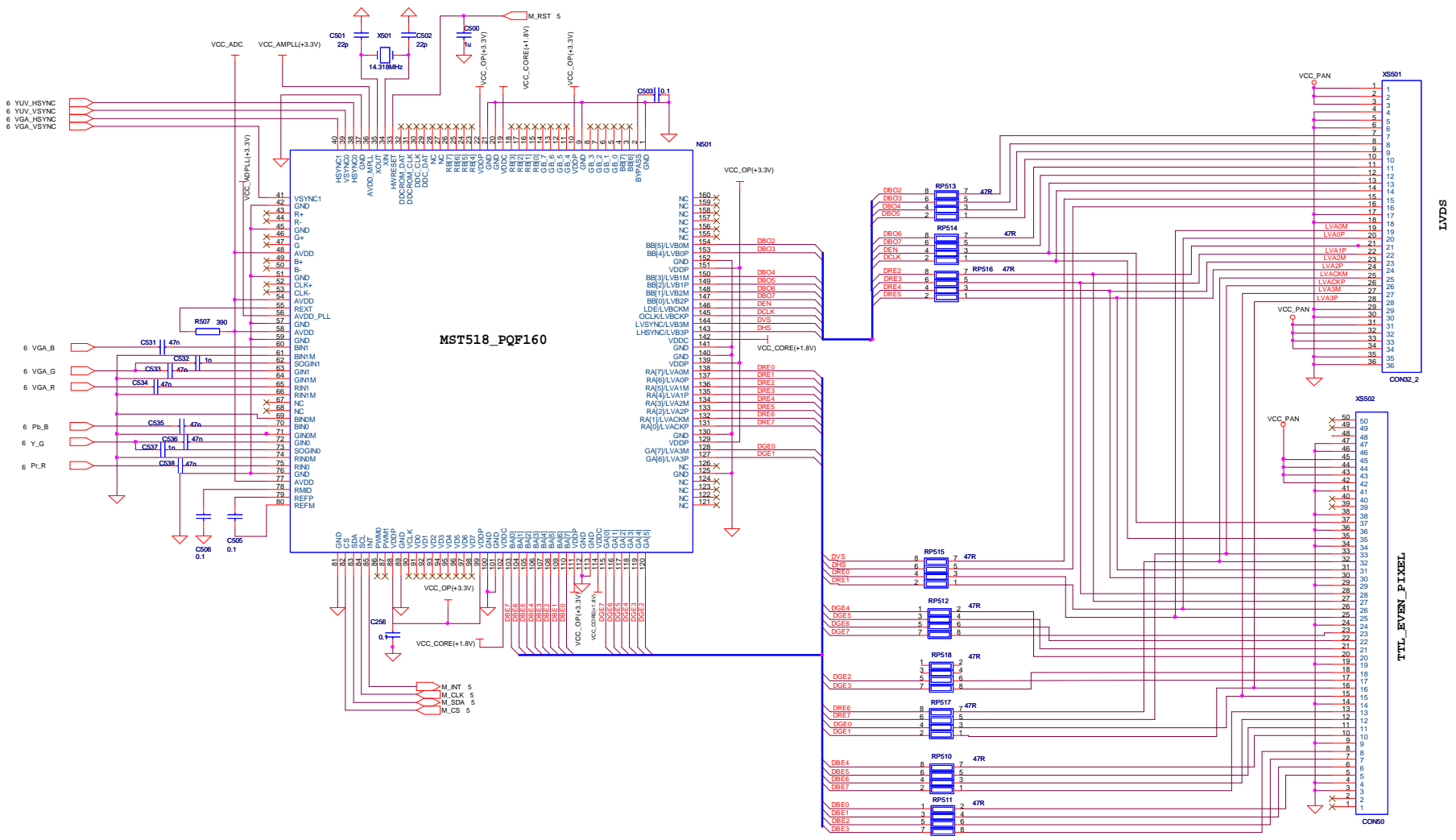


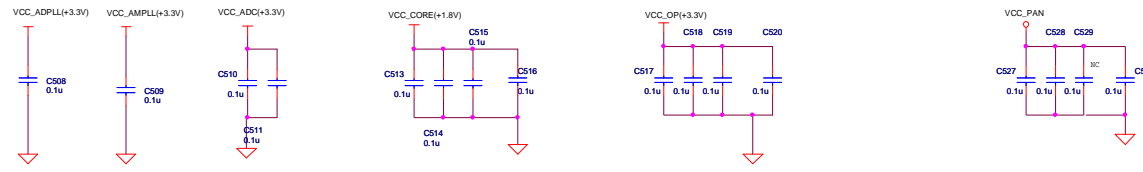
VCC_PAN is for Panel 5V or 3.3V

SET	R809	R805	R807
5.0V	470K	30K	1.5K
3.3V	470K	15K	2K

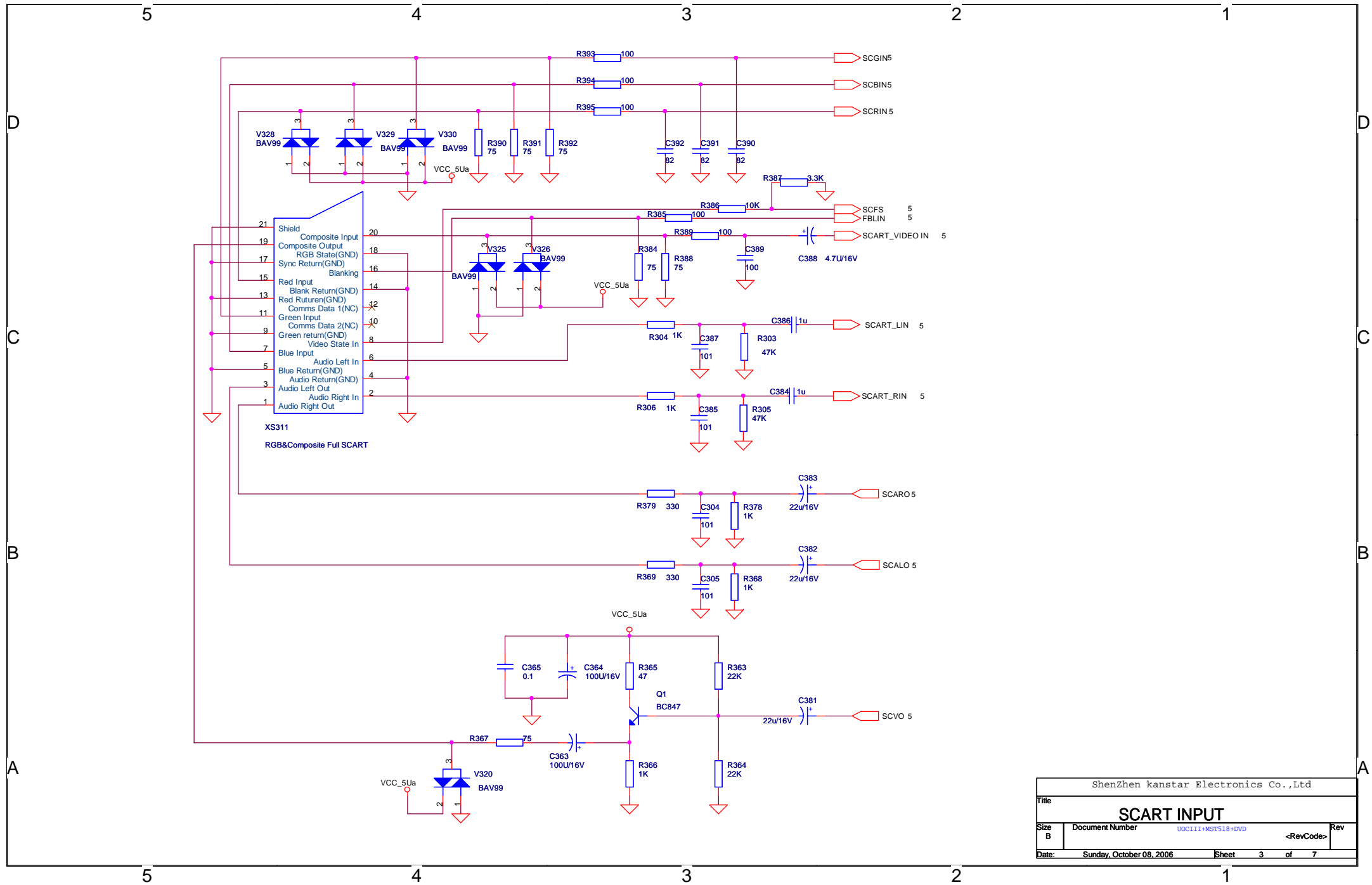


MST518_PQF160

Note:R11 - R24 and R518 - R527 should place close to N501



Shenzhen Kanstar Electronics Co., Ltd			
File			
SCALER_MST518			
Size	Document Number	DOC111-MST518-010	Rev
C			
Date:	Saturday, October 28, 2006	Sheet	2 of 7



ShenZhen kanstar Electronics Co.,Ltd			
Title			
SCART INPUT			
Size	Document Number	UOCIII+MST918+DVD	Rev
B			<RevCode>
Date:	Sunday, October 08, 2006	Sheet	3 of 7

5

4

3

2

1

D

D

C

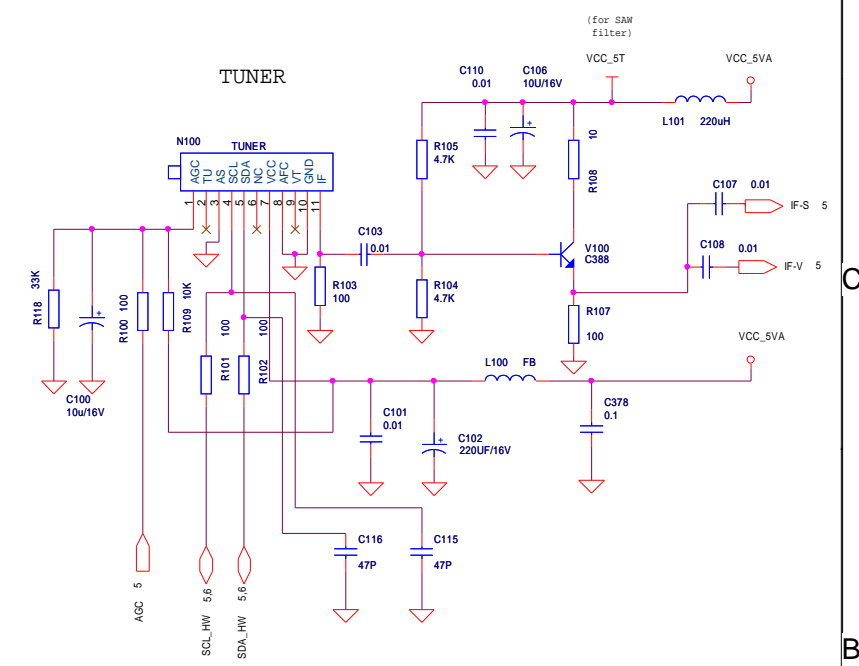
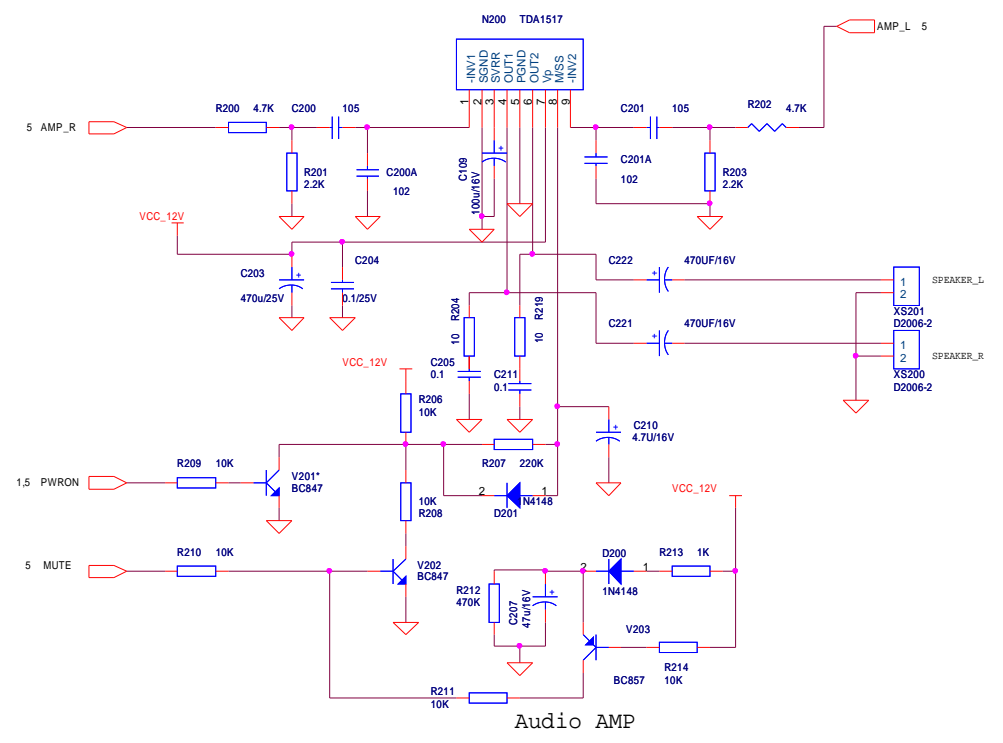
C

B

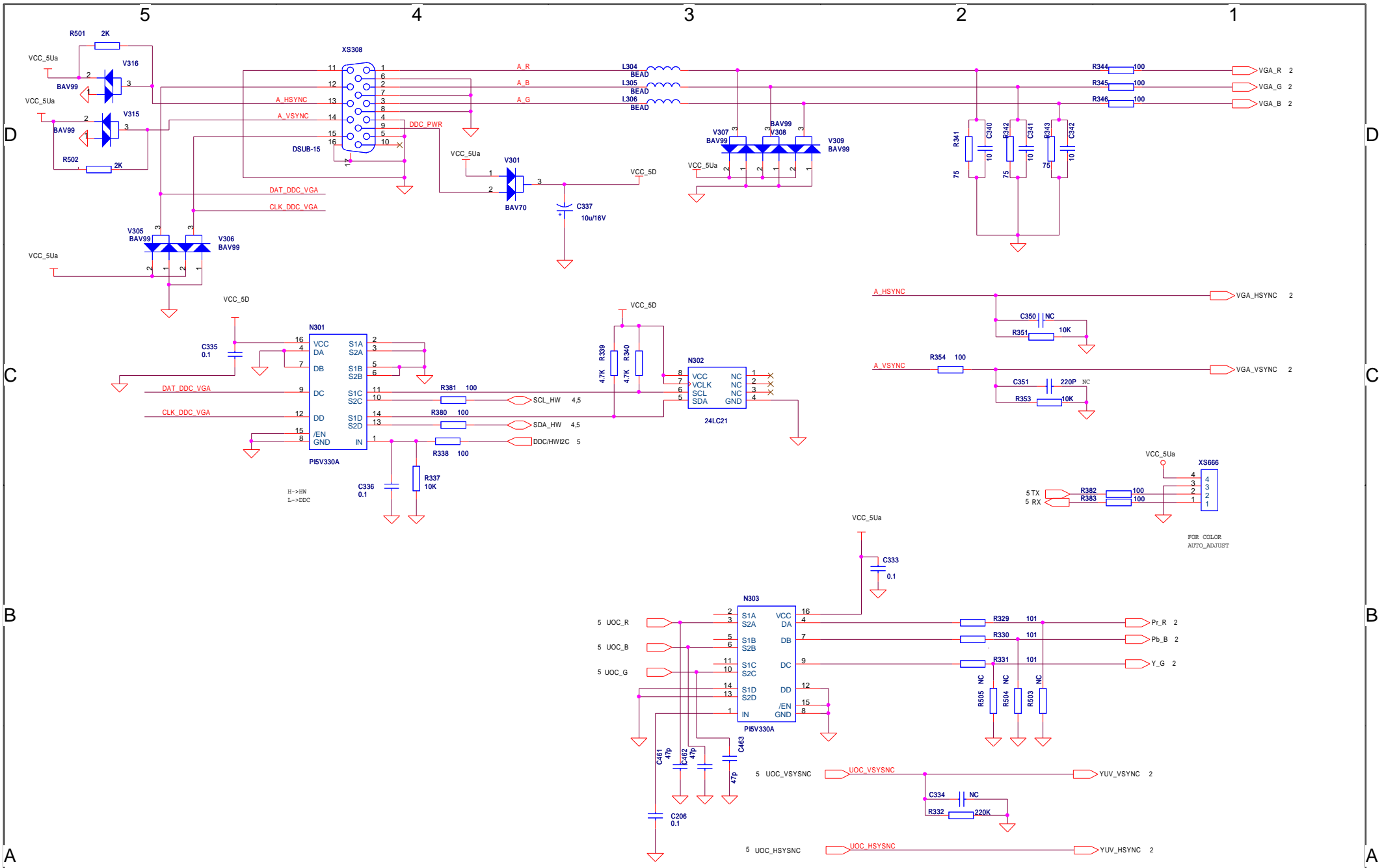
B

A

A



Shenzhen kanstar Electronics Co.,Ltd			
Title	TUNER & AUDIO AMP		
Size	Document Number	UOC111+MST518+DVD	
A3		Rev	
Date:	Sunday, October 08, 2006	Sheet	4 of 7



Shenzhen Kanstar Electronics Co.,Ltd			
Title	VGA AND COMPONENT AV INPUTPORT		
Size	Document Number	UOC111-NST518+DVD	Rev 1.1
Date:	Sunday, October 08, 2006	Sheet	6 of 7

5

4

3

2

1

D

D

C

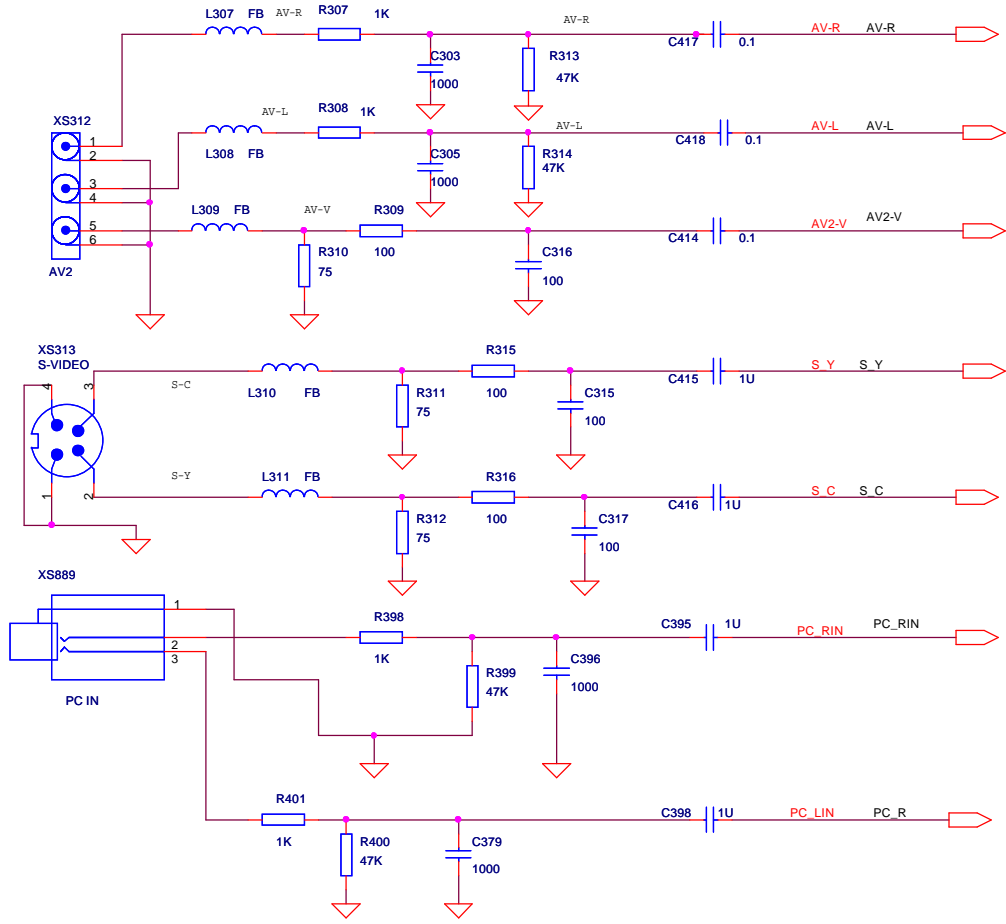
C

B

B

A

A



5

4

3

2

1

ShenZhen kanstarElectronics Co.,Ltd			
Title	<Title>		
Size	Document Number	AV-BOARD	Rev
B	<Doc>	UOCIII+MST518+DVD	<RevCode>
Date:	Saturday, October 28, 2006	Sheet 7 of 7	1