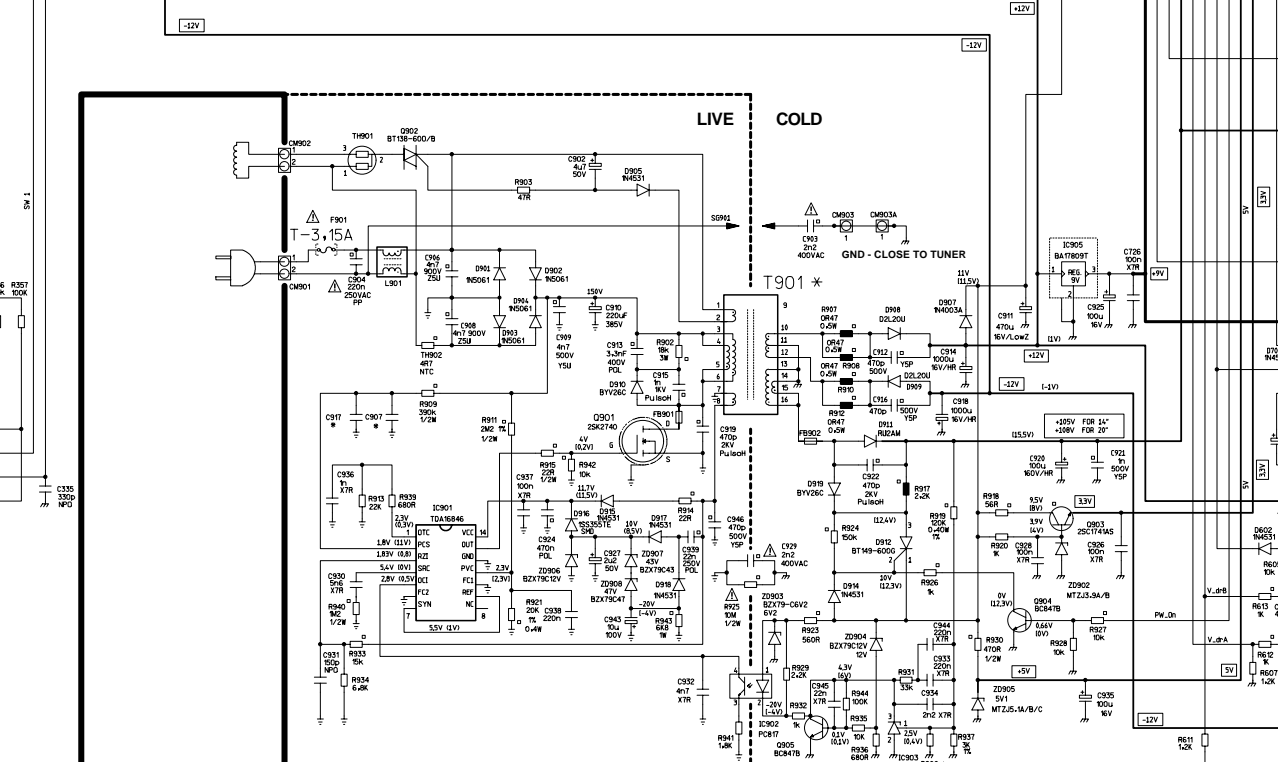
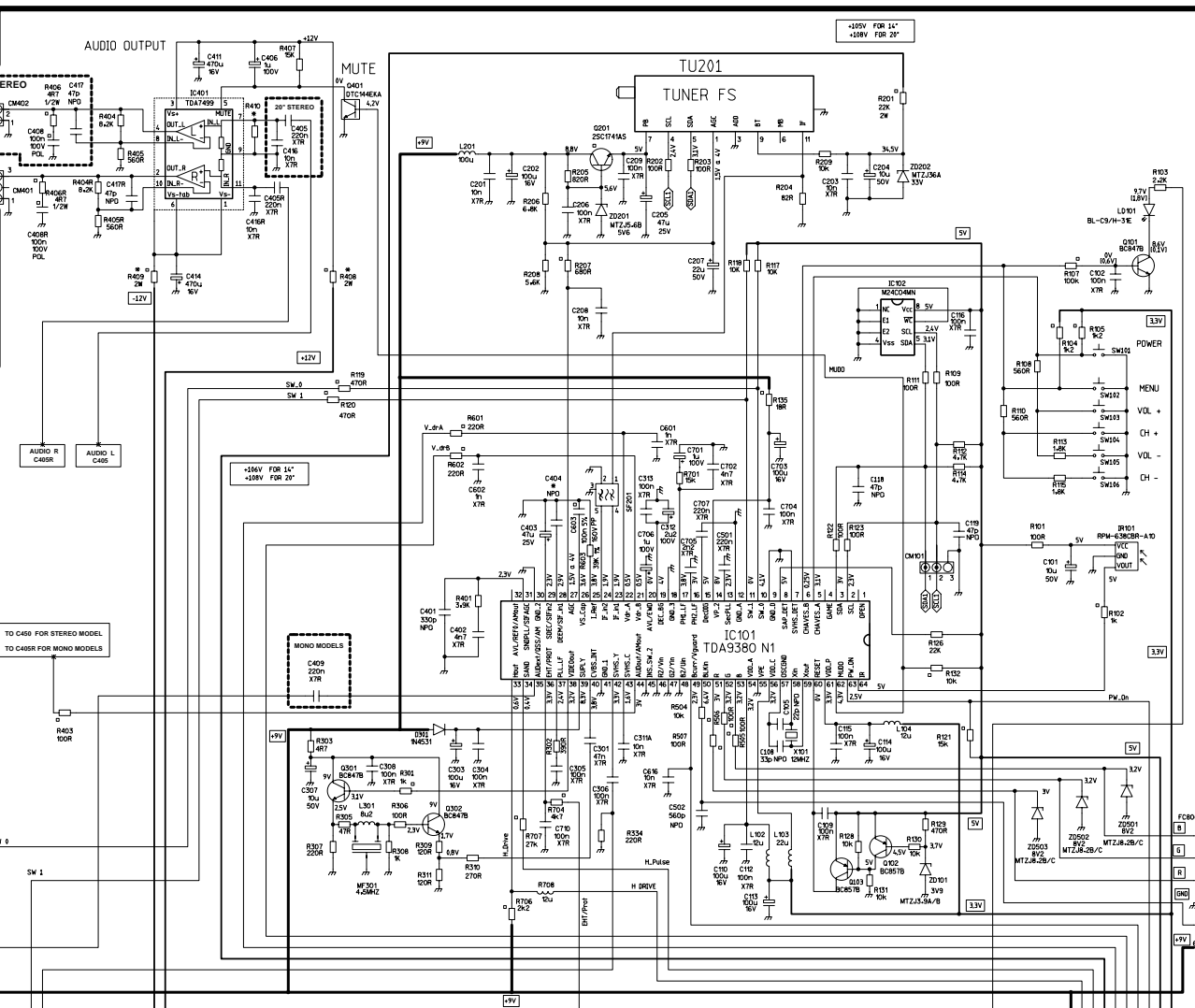
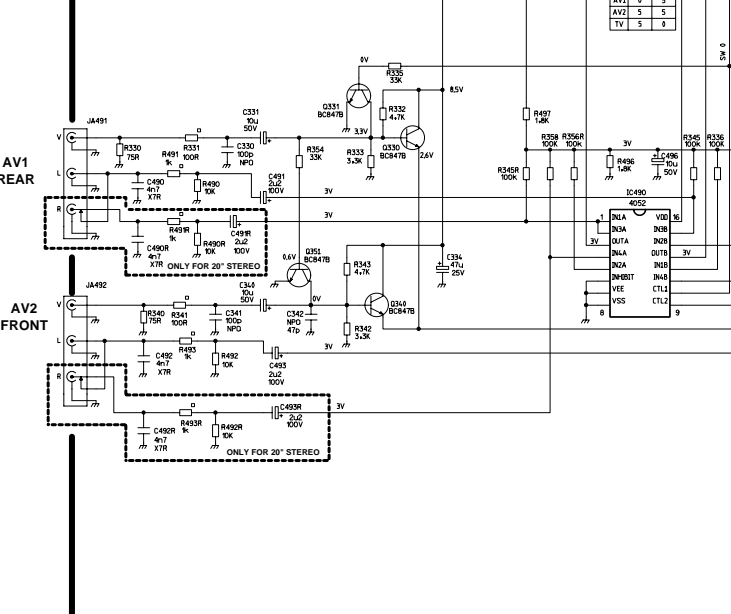
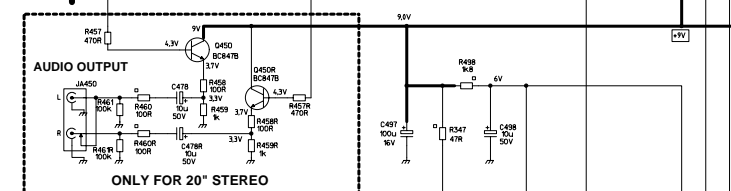
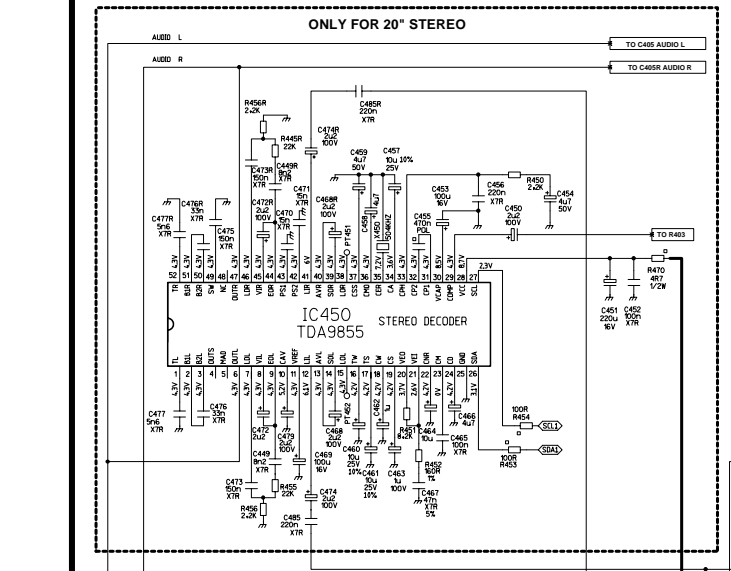
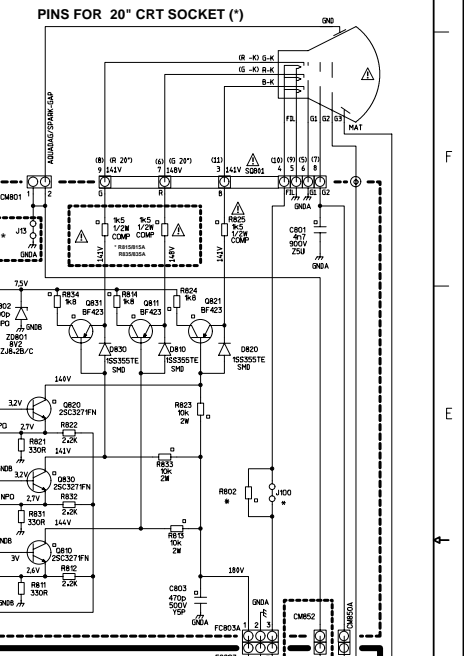


- NOTES :
- RESISTOR VALUES IN OHMS
 - LEADED RESISTORS
 - SMD RESISTORS
 - CAPACITORS - VALUES IN FARADS
 - ELECTROLYTIC
 - LEADED
 - SMD
- 3 COMPONENTS IDENTIFIED WITH SYMBOL ARE SAFETY COMPONENTS. REPLACE THEM WITH APPROVED COMPONENTS BY ICA.
- 4 THERMISTOR INDICATED IN THE SCHEMATIC DIAGRAMS ARE ONLY FOR REFERENCE.
- AUDIO MONO VOLUME (V) = 1/4 OF THE GRAPHIC MAGNITUDE ORIGINAL.
- AV MEASURED WITH SIGNAL APPLIED IN AV1 SUPPLY 120V AC IDENTIFICATION BY 1989 BY (revised)

REVISED	DATA	PROJ.	VISTO
REVISION 2, FINAL	24/4/2002	Horberto	NISA
REVISION 3	29/05/2001	Horberto	NISA
REVISION 4	11/07/2001	Horberto	NISA

* MODEL'S DIFFERENCES

POS/MOD	CR14300	CR20300	CR20310
R802	NAD	647R	647R
R500	SM	NAD	NAD
R408/9	R82	R82	R82
R410	200R	200R	NAD
R608	R82	R82	R82
R609	R82	R82	R82
R715	3K3	3K3	3K3
R716	1K2	1K2	1K2
R721	10K	68K	68K
R722	2K7	1K5	1K5
R723	2K7	1K5	1K5
R724	3K3	3K3	3K3
R815A/B35	SM	NAD	NAD
R815/B35	NAD	SM	SM
R966	R82	47K	47K
R967	SM	NAD	NAD
C952	NAD	SM	100PF
C404	4N7	4N7	100PF
C715	4N7	4N7	100PF
C728	4N7	4N7	100PF
C907	NAD	680PF	680PF
C917	560PF	680PF	680PF
T901	32800114/0117	3208A/980119	



PHILCO - ITALTEC PHILCO S.A.

MODEL NO. CR14300/CR20300/CR20310 STEREO

DES. NO. DE-155-001-012

11/JUL/2001