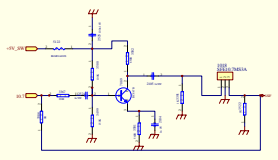
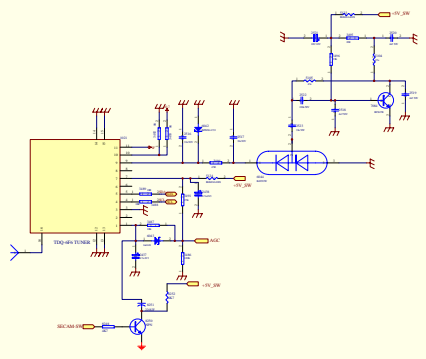
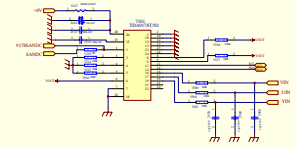
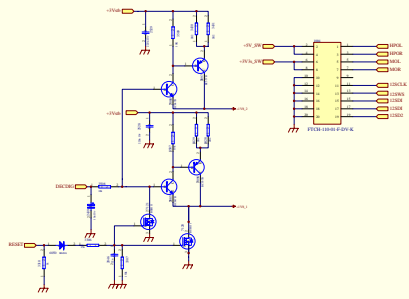


7103-1 SCALER

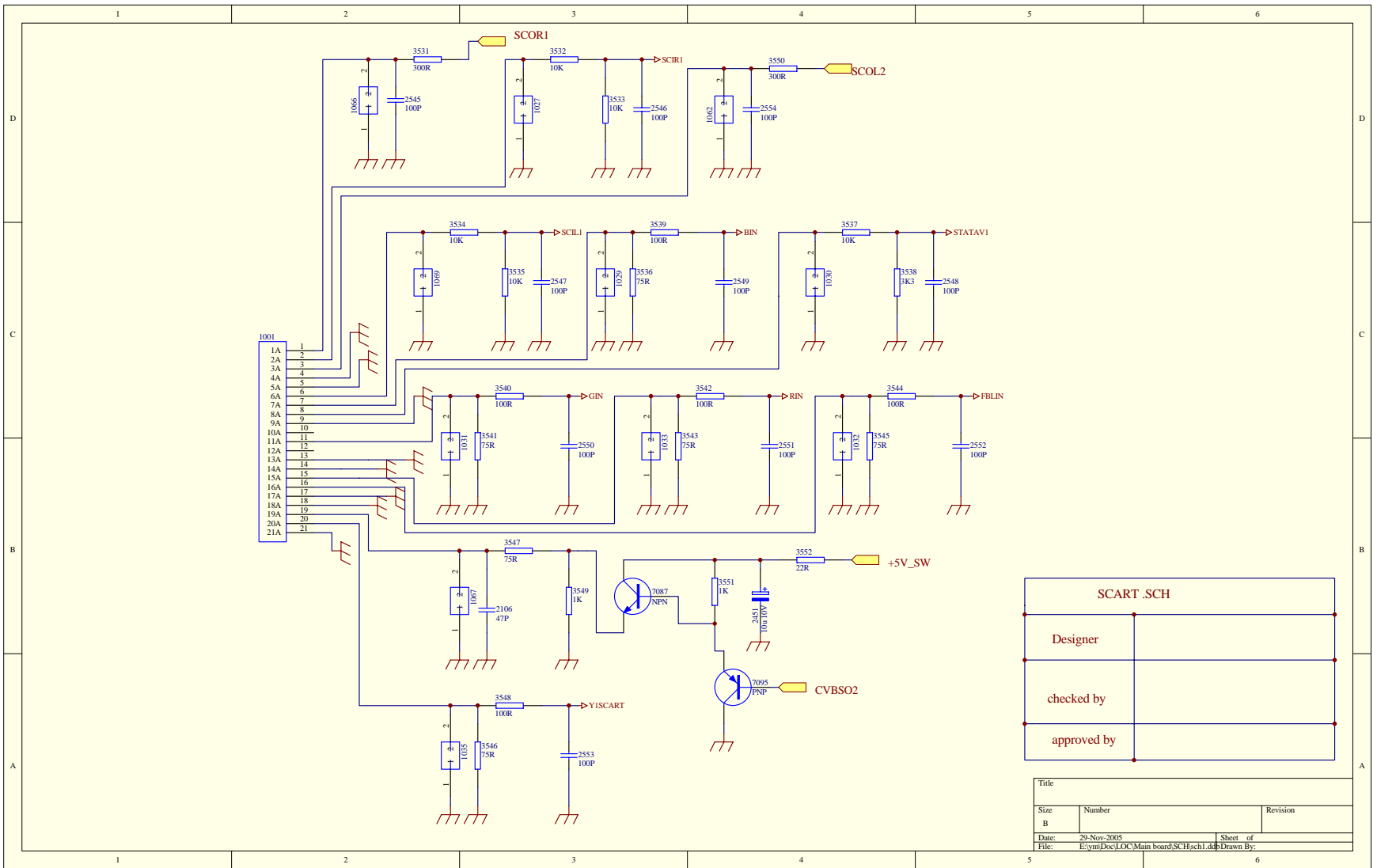
SCALER 7103	
Designer	
Checked by	
Approved by	



TUMOR 2020	
Designer	
Checked by	
Approved by	

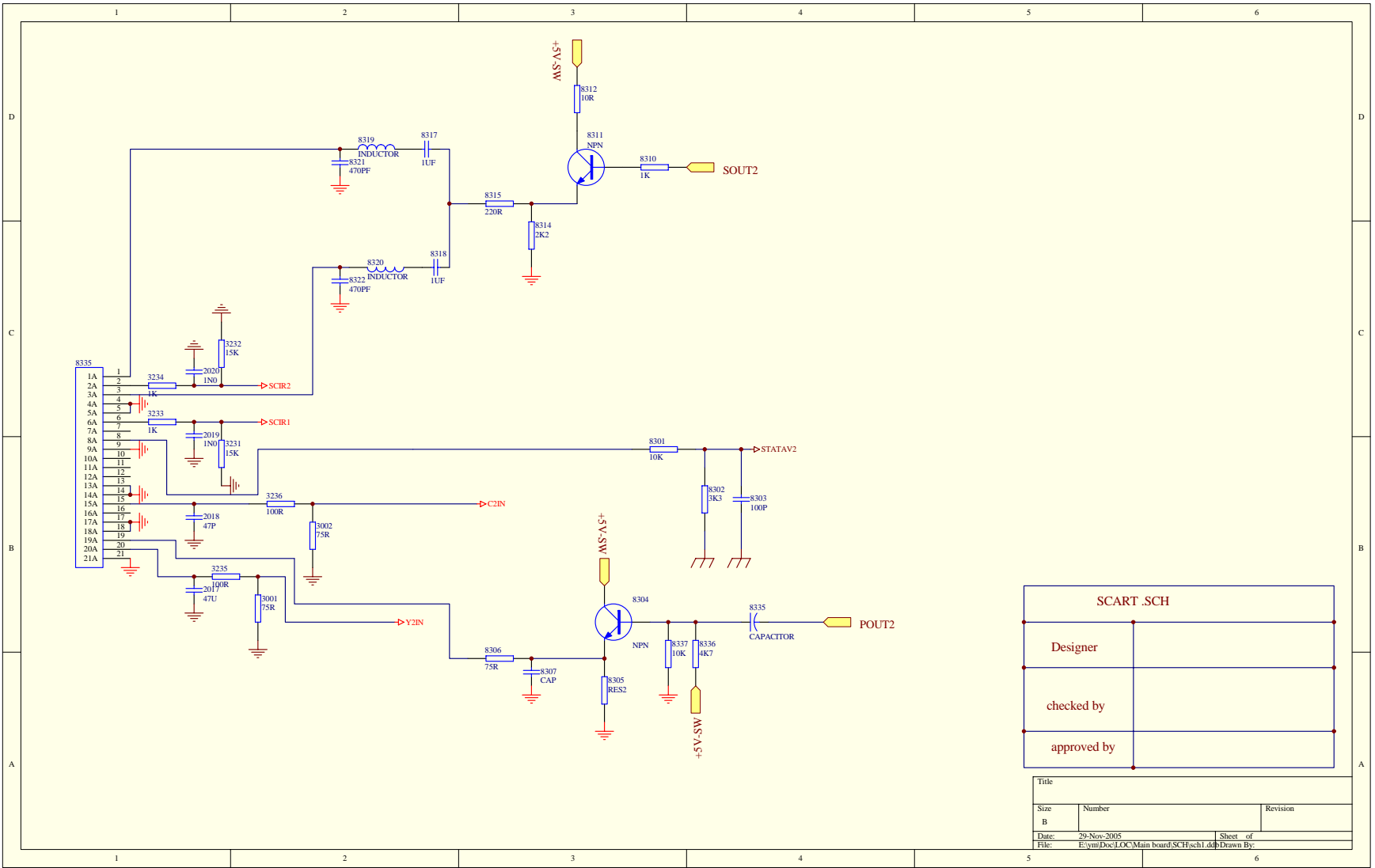
Revision	
Rev	Description





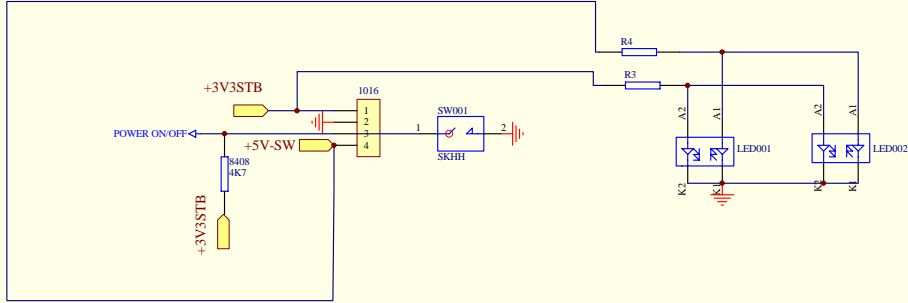
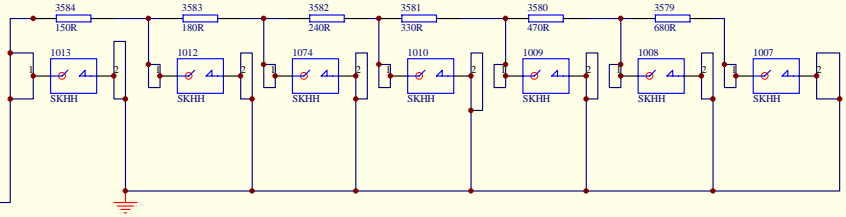
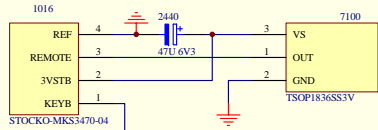
<b>SCART .SCH</b>	
Designer	
checked by	
approved by	

Title		
Size	Number	Revision
B		
Date:	29-Nov-2005	Sheet of
File:	E:\ym\Doc\LOC\Main board\SCFsch1.d	Drawn By:



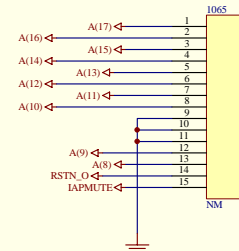
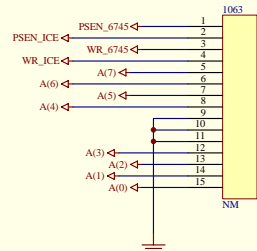
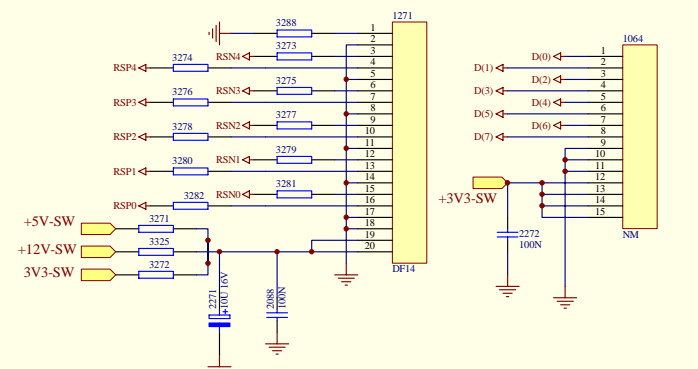
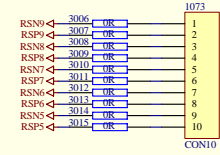
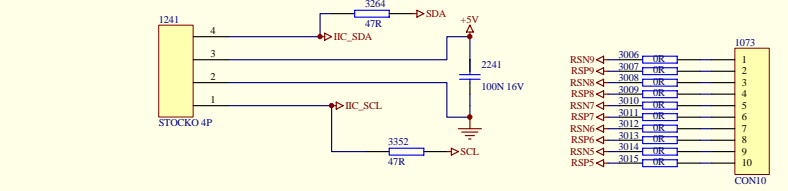
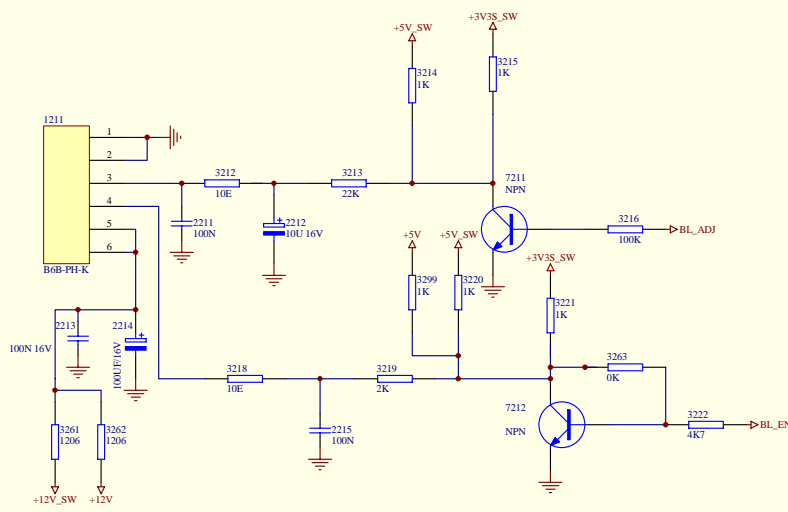
SCART.SCH	
Designer	
checked by	
approved by	

Title		
Size	Number	Revision
B		
Date:	29-Nov-2005	Sheet of
File:	E:\ym\Doc\LOC\Main board\SCFsch1.dsp	Drawn By:



REMOTE AND KEY .SCH	
Designer	
checked by	
approved by	

Title		
Size	Number	Revision
Date:	20-Nov-2005	Sheet of
File:	E:\ym\Doc\LOC>Main board\SCH\sch1.d	Drawn By:

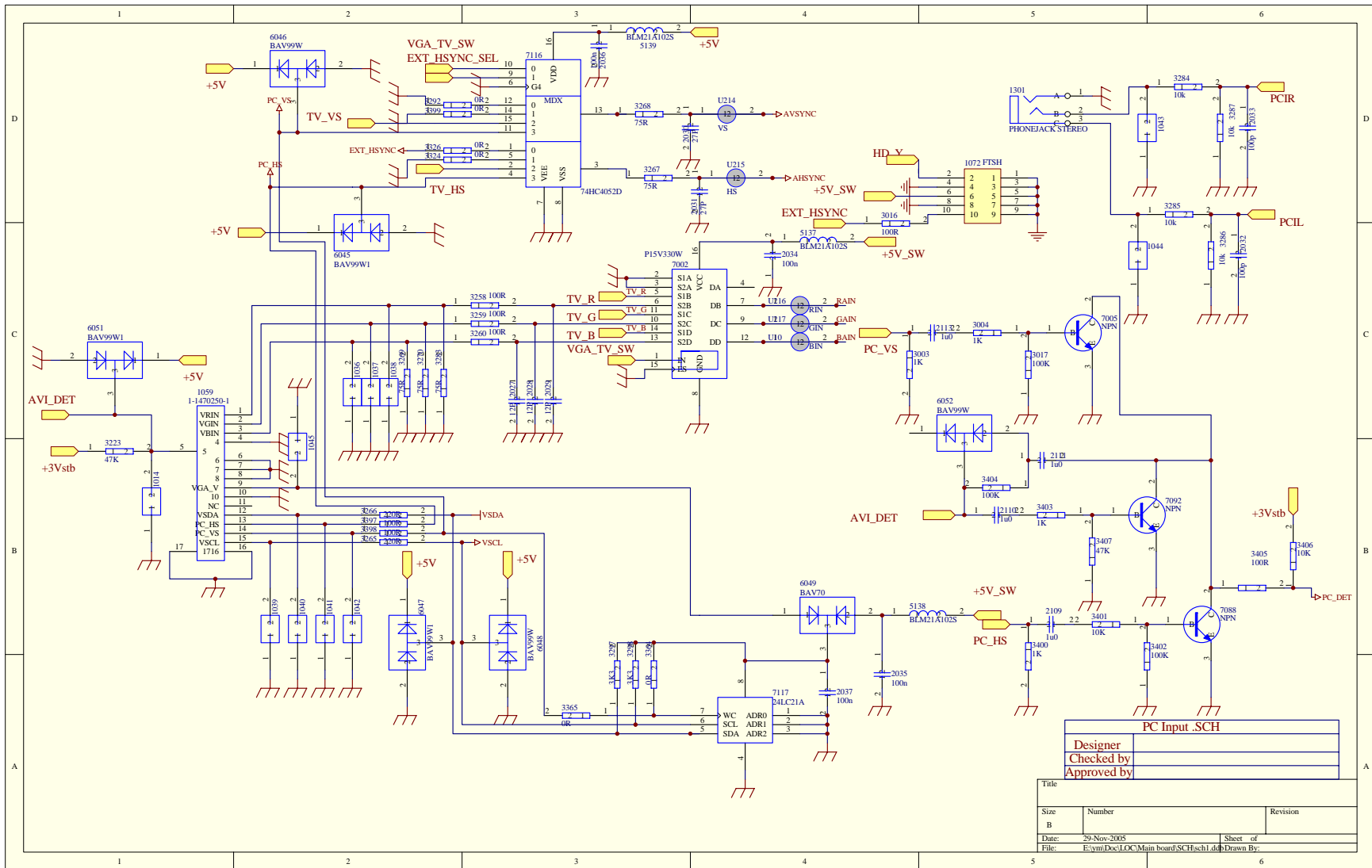


SCALER .SCH		
Designer		
checked by		
approved by		

Title		
Size	Number	Revision
Date	29-Nov-2005	Sheet of
File	E:\vm\Doc\LOC\Main board\SCH\sch1.dsp	Drawn By:

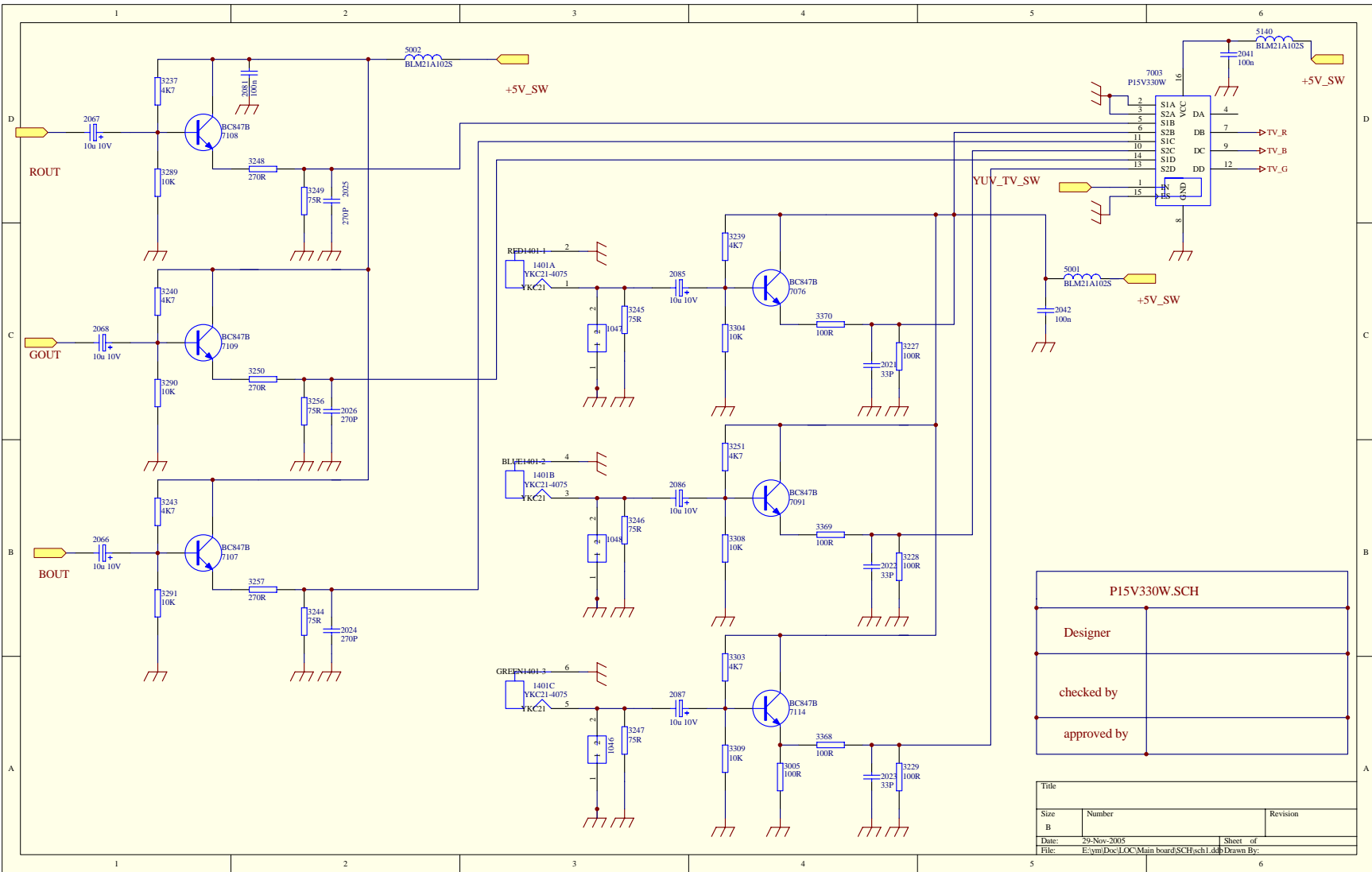






<b>PC Input .SCH</b>		
Designer		
Checked by		
Approved by		

Title		
Size	Number	Revision
B		
Date:	29-Nov-2005	Sheet of
File:	E:\vm-Doc\LOC\Main board\SCH\sch1.dwg	Drawn By:



<b>P15V330W.SCH</b>		
Designer		
checked by		
approved by		

Title		
Size	Number	Revision
Date:	29-Nov-2005	Sheet of
File:	E:\ym\Doc\LOC\Main board\SCH\Fisch1.dtb Drawn By:	

